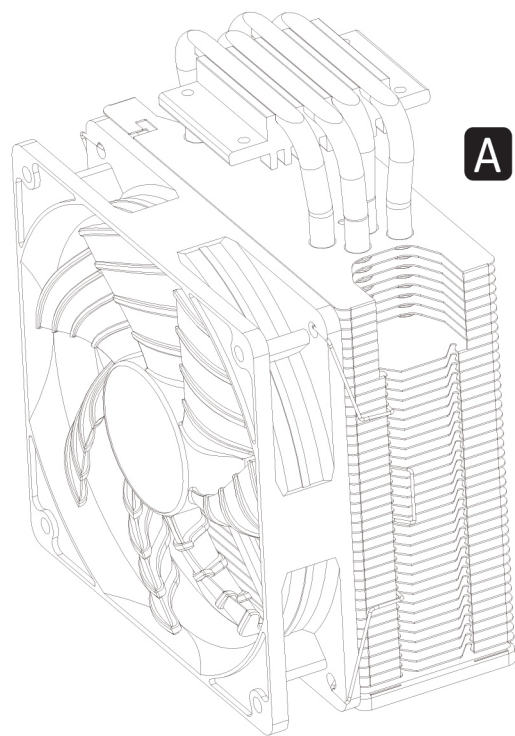


# CR-601

## User's Manual

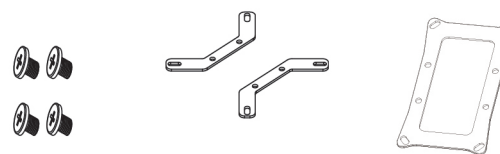


**A**

**B** Back Plate **C** Position Screw **D** Stand-off



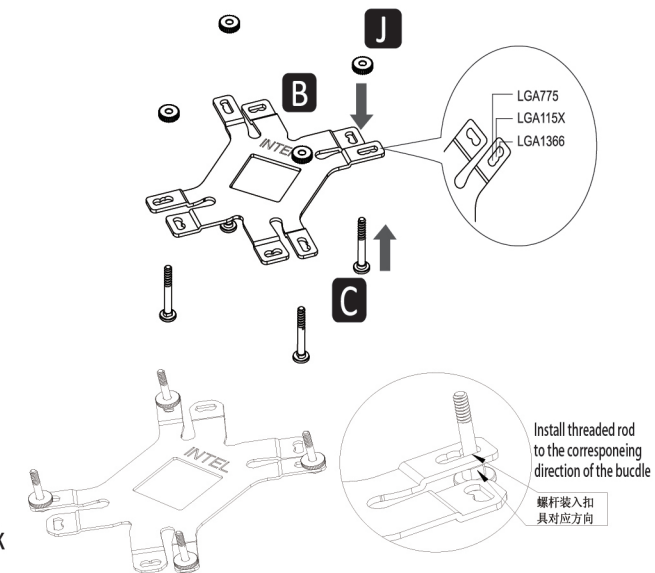
**E** Bracket Screw **F** Intel Bracket **G** AMD Bracket



**H** Fixed Screw **I** Thermal Grease **J** pourable resin chock



**Step 1** \* Intel LGA775/115X/1366

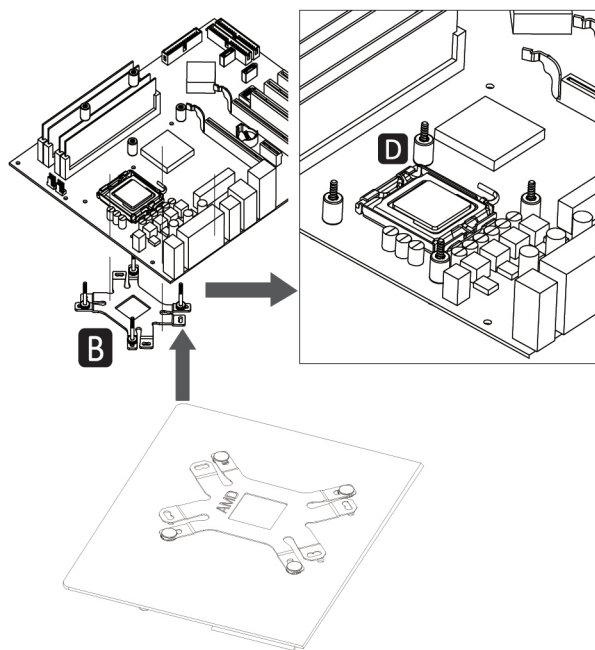


Intel的时候背板的使用方法，前面刻印显示INTEL。  
When using the Intel CPU, Please let the words INTEL on the upside.

**EN** Fix the locating screw on the corresponding hole according to the requirement of the main board.

**CN** 根据主板需求将定位螺丝固定在背板对应孔位上。

**Step 2** \* Intel LGA775/115X/1366 installation

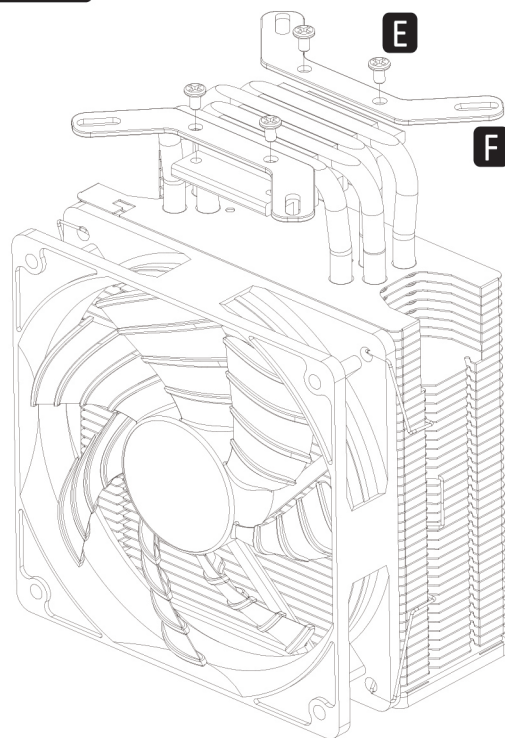


INTEL组装后主板背面方向看，背板刻印显示AMD。  
When assembling the intel CPU, check from the back side AMD word will be on the panel.

**EN** Install the back plate on to the back of the motherboard. Put the stand-offs into the back plate screws.

**CN** 将套上定位螺丝的背板，装在主主板背面，再将套筒放入定位螺丝内。

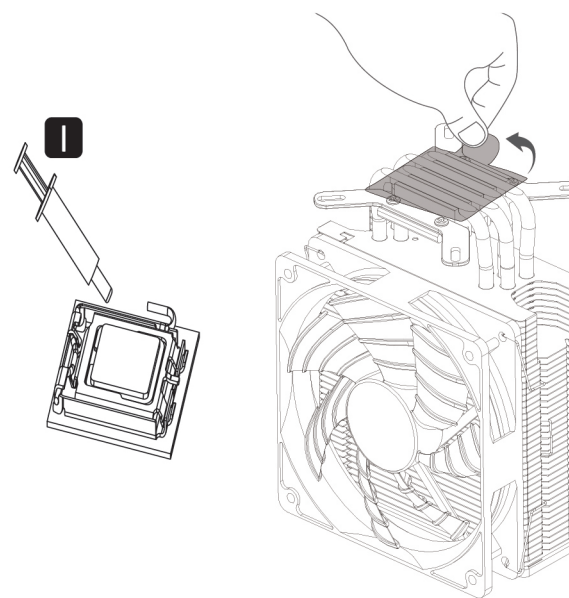
**Step 3**



**EN** Install the bracket mount on the cooler base. Fasten the bracket mount with screws.

**CN** 将支架安装到散热器底座，并用支架螺丝将其锁紧。

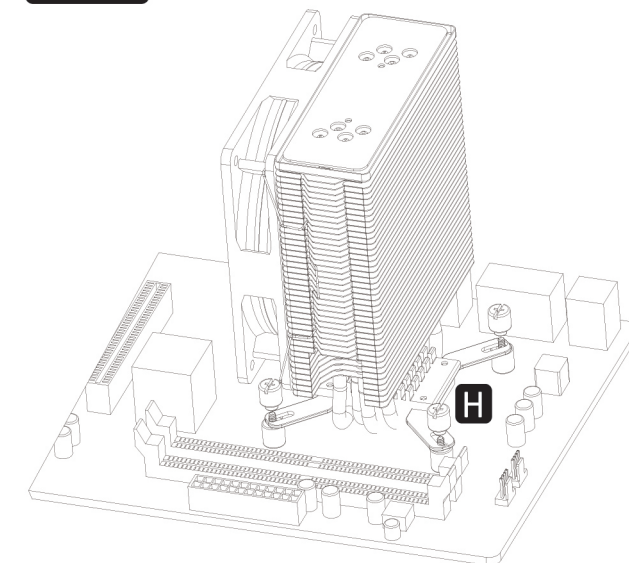
**Step 4**



**EN** Apply the thermal grease evenly onto the CPU surface. Remove the protective film from the cooler base.

**CN** 将散热膏均匀地涂抹在CPU表面上，并取下散热器底座上的保护膜。

**Step 5**

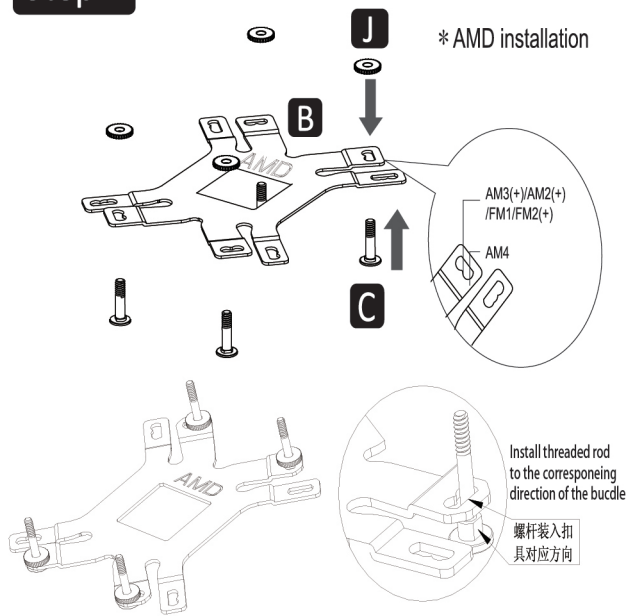


**EN** Place the radiator on the CPU and lock the four sides of the fixed screw, Connect the fan wire connector to the main board.

**CN** 将散热器置于CPU上并锁紧四边的固定螺丝，再将风扇导线接头与主板连接。

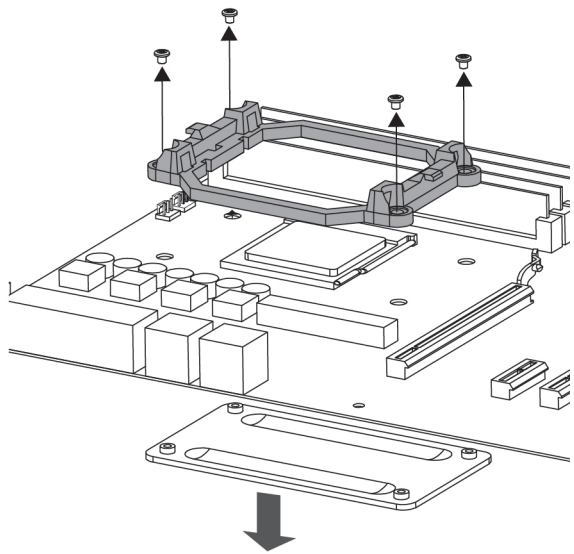
# Chapter 3 - AMD Installation

## Step 1



AMD的时候背板的使用方法，前面刻印显示AMD。  
When using the AMD CPU, Please let the words AMD on the upside.

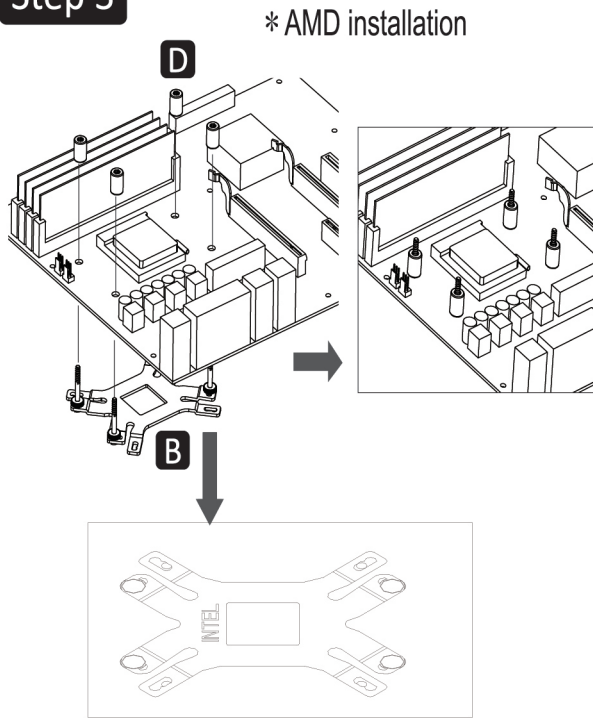
## Step 2



EN Please remove the original heatsink mount holder before further installation.

CN 请将AMD主板上的原厂散热支架移除。

## Step 3

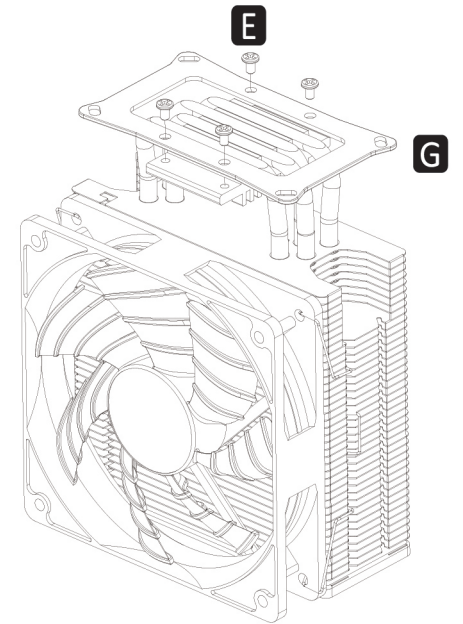


AMD组装后主板背面方向看，背板印显示INTEL。  
when assembling the AMD CPU, Check from the back side INTEL wlrld will be on the panel.

EN Install the back plate on to the back of the motherboard. Put the stand-offs into the back plate screws.

CN 将套上定位螺丝的背板，装在主板背面，再将套筒放入定位螺丝内。

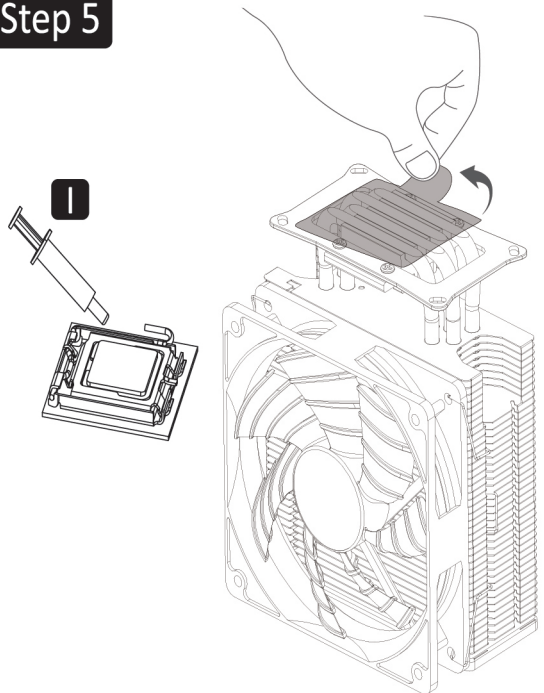
## Step 4



EN Install the bracket mount on the cooler base. Fasten the bracket mount with screws.

CN 将支架安装到散热器底座，并用支架螺丝将其锁紧。

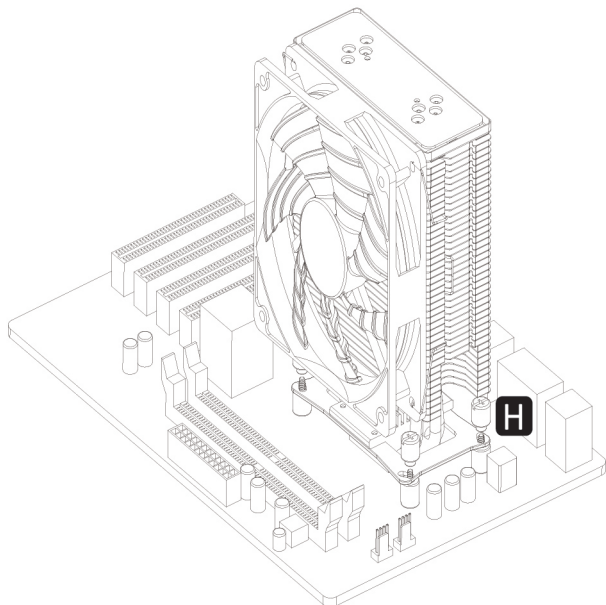
## Step 5



EN Apply the thermal grease evenly onto the CPU surface. Remove the protective film from the cooler base.

CN 将散热膏均匀地涂抹在CPU表面上，并取下散热器底座上的保护膜。

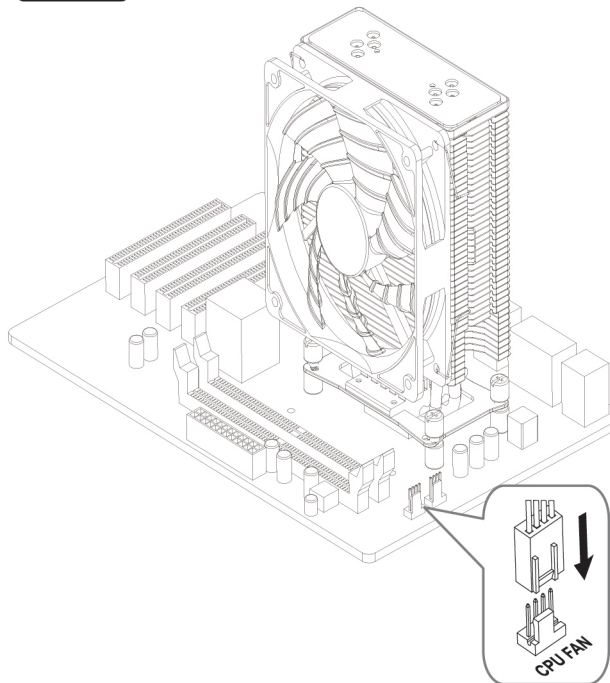
## Step 6



EN Place the cooler on the CPU and tighten the fixed screws until all four corners are secured.

CN 将散热器置于CPU上并锁紧四边的固定螺丝。

## Step 7



EN Connect the fan wire connector to the main board.

CN 将风扇导线接头与主板连接。

# CR-601

**JONSBO**  
For your real needs