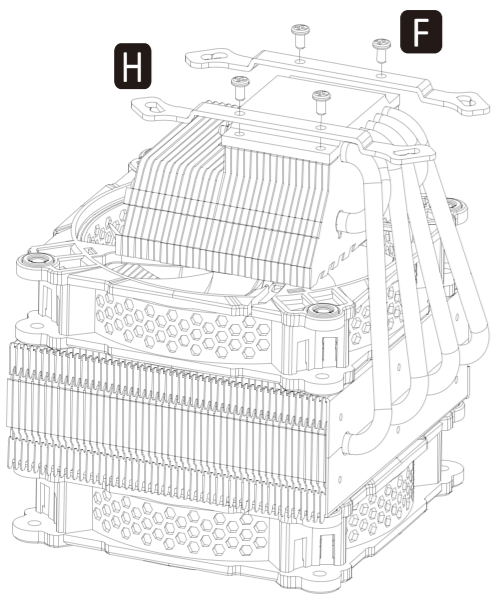


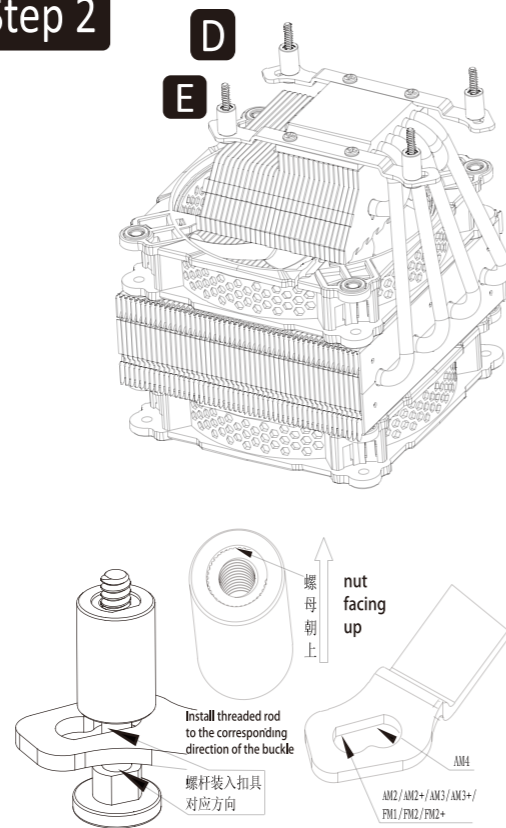
Step 1



EN Install AMD bracket on the cooler base, and then use bracket screws to fix it.

CN 将AMD支架安装到散热器底座，并用螺丝将其锁紧。

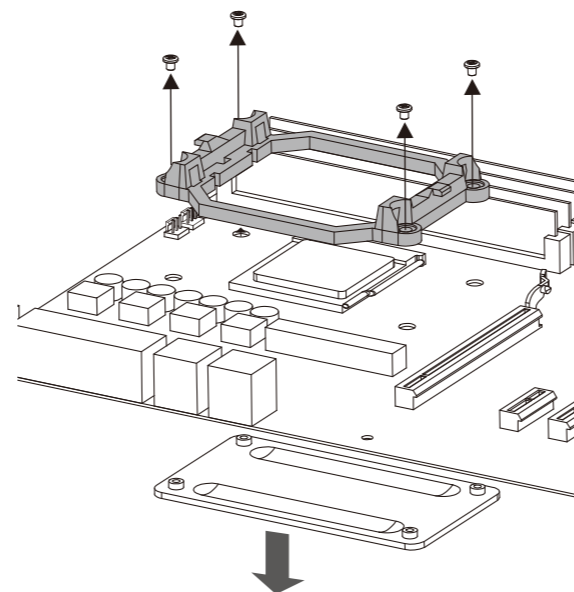
Step 2



EN Install threaded rod to the corresponding holes of AMD bracket as needed, fixing it with nut facing up.

CN 根据需要将螺杆装入AMD对应孔位内，将隔套内螺母朝上拧紧固定。

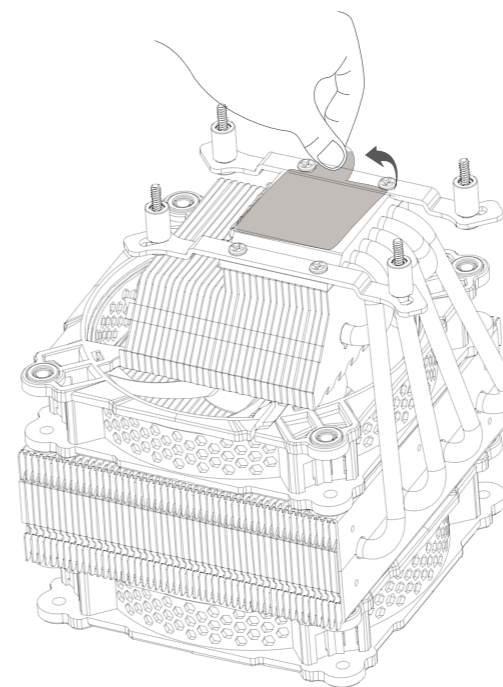
Step 3



EN Please remove the original heatsink mount holder before further installation.

CN 请将AMD主板上的原厂散热支架移除。

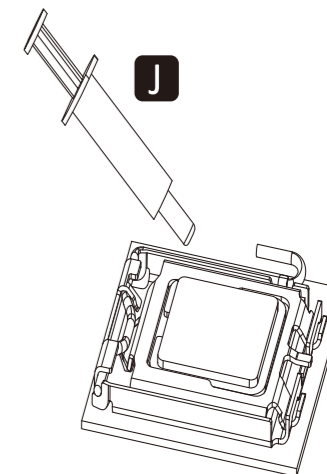
Step 4



EN Remove protective film before installing the cooler.

CN 安装散热器前先移除保护膜。

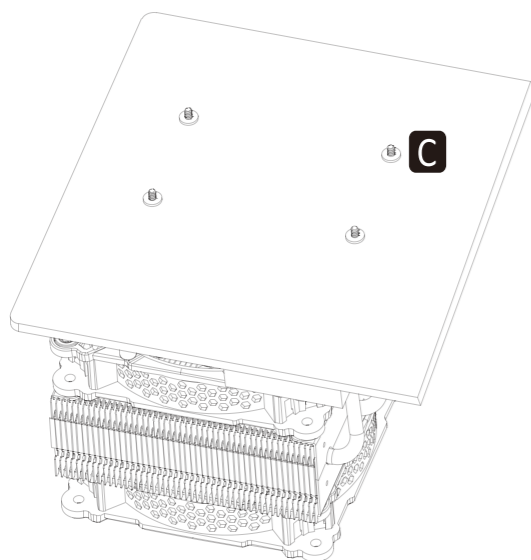
Step 5



EN Evenly apply the thermal grease onto the CPU.

CN 将导热膏均匀涂抹于CPU表面上。

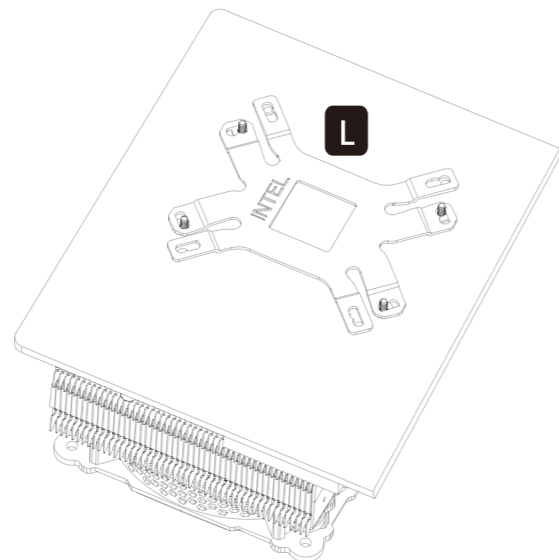
Step 6



EN Pointing the holes of the motherboard to the poistioning screws of the cooler ,and then assemble them together,install insulating washers.

CN 将主板孔位对准散热器定位螺丝，反扣于散热组上，装入绝缘垫片。

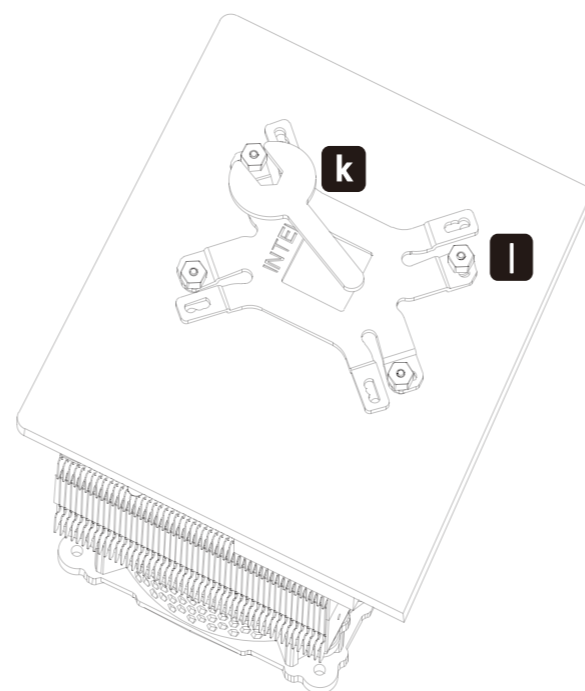
Step 7



EN Install back plate(as shown in the figure)

CN 装入背板（如图所示）。

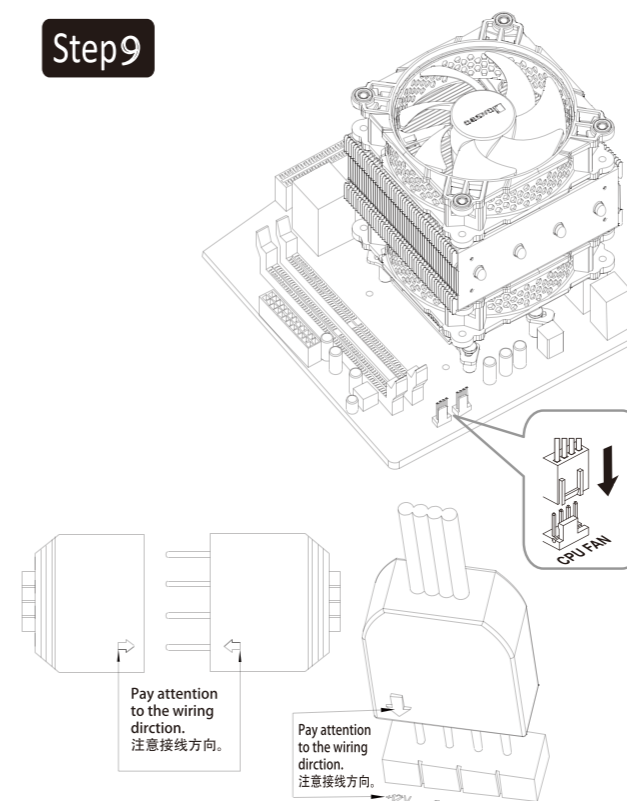
Step 8



EN Fix the coolers on the motherboard by fixing the hex nuts with the wrench.

CN 用开口板手拧紧六角螺母，将散热组固定到主板上。

Step 9



The RGB power line connects the encoder wiring line.

The RGB power line straight connects main board.

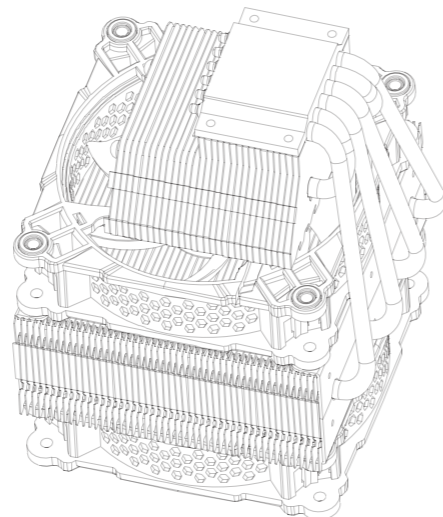
EN Connect the fan, connector to the CPU fan power socket or the motherboard,At the same time, connect the RGB lamp line to the host or connect it to the encoder wiring as required.

CN 将CPU风扇导线与主板连接，同时跟据需要将RGB灯线与主板或编码器导线连接。

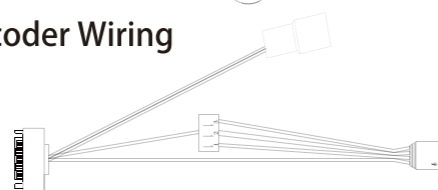
CR-301



A CPU heat sink



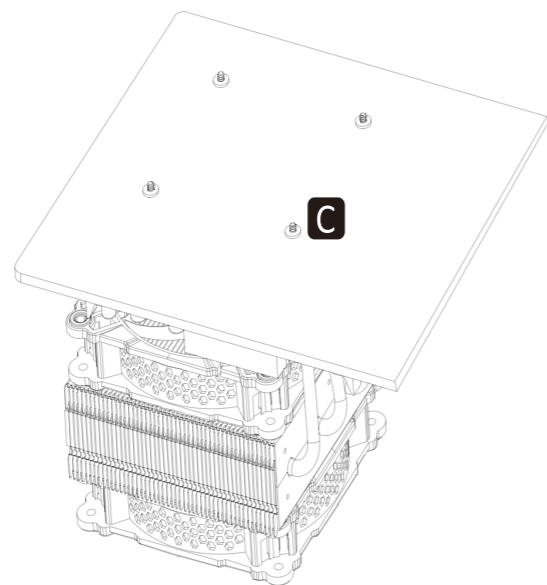
B Encoder Wiring



如果你的主板不支持RGB功能，请用编码器配线转接。

If your main board not support RGB, please use the encoder wiring connection.

Step 4



EN Pointing the holes of the motherboard to the poistioning screws of the cooler, and then assemble them together, install insulating washers.

CN 将主板孔位对准散热器定位螺丝，反扣于散热组上，装入绝缘垫片。

C Washer **D** Positioning Screw **E** Stand-off



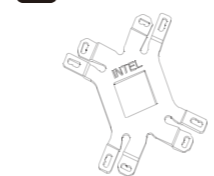
F Bracket Screw **G** Intel Bracket **H** AMD Bracket



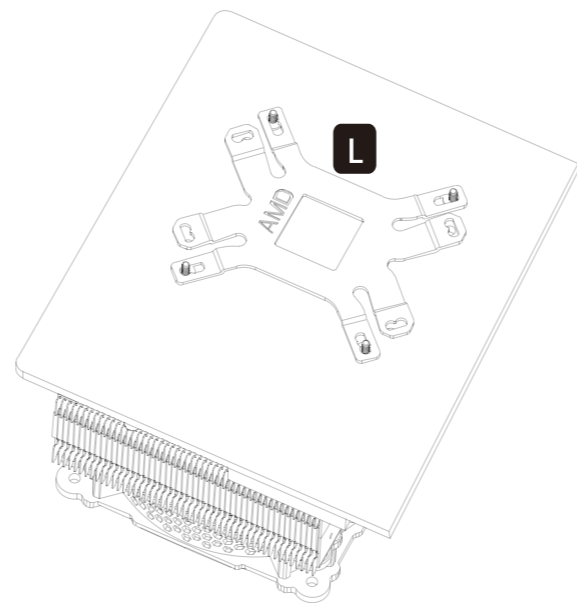
I hex nut **J** Thermal Grease **k** Wrench



L Back Plate



Step 5

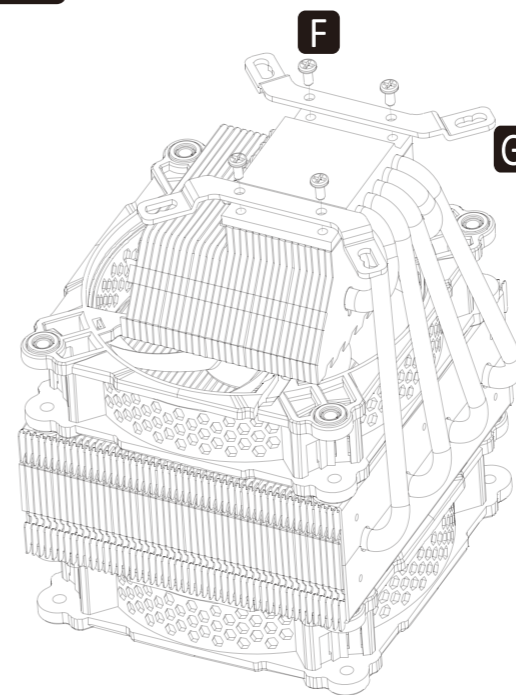


EN Install back plate(as shown in the figure)

CN 装入背板（如图所示）。

Chapter 2 - Intel Installation

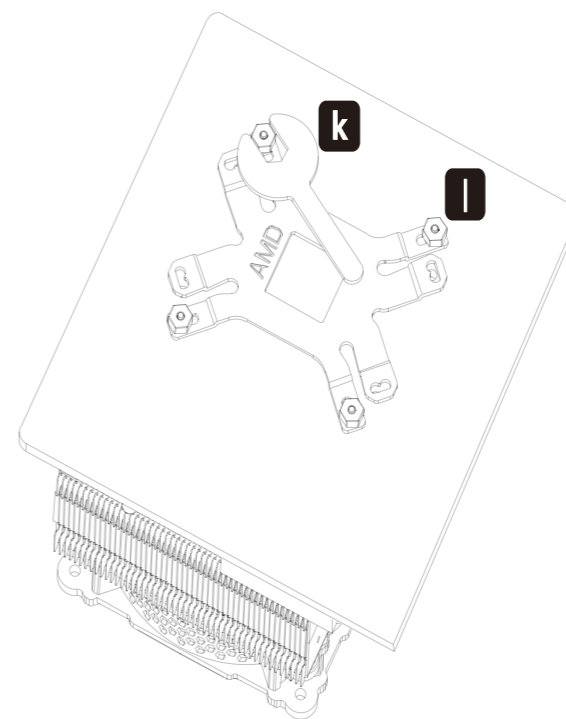
Step 1



EN Place INTEL bracket on the cooler base, and then use bracket screws to fix it.

CN 将INTEL支架安装到散热组上，并用螺丝拧紧。

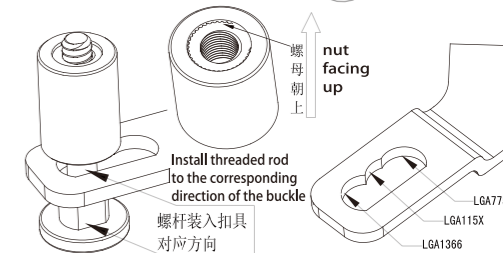
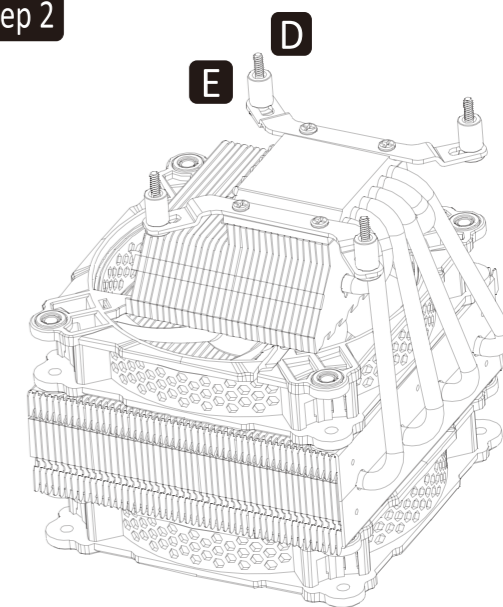
Step 6



EN Fix the coolers on the motherboard by fixing the hex nuts with the wrench.

CN 用开口板手拧紧六角螺母，将散热组固定到主板上。

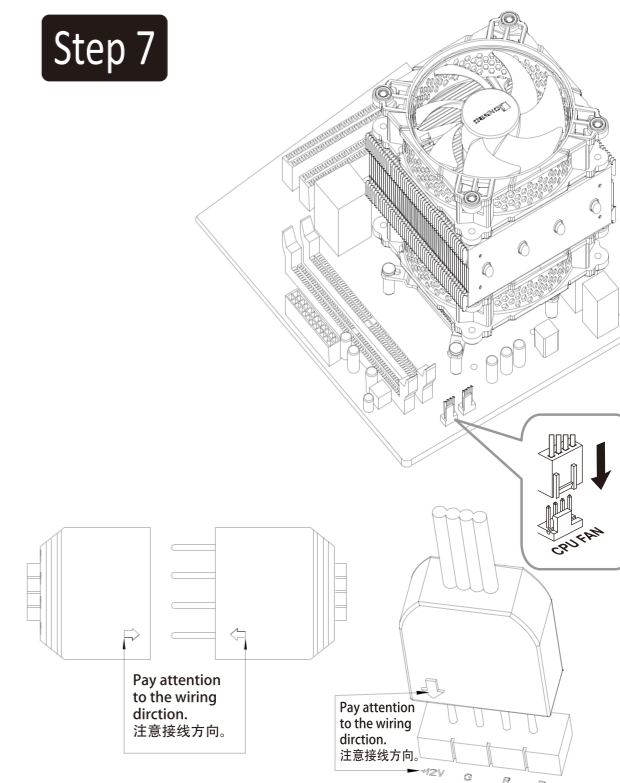
Step 2



EN Install threaded rod to the corresponding holes of INTEL bracket as needed, fixing it with nut facing up.

CN 根据需要将螺杆装入INTEL对应孔位内，将隔套内螺母朝上拧紧固定。

Step 7



The RGB power line connects the encoder wiring line.

The RGB power line straight connects main board.

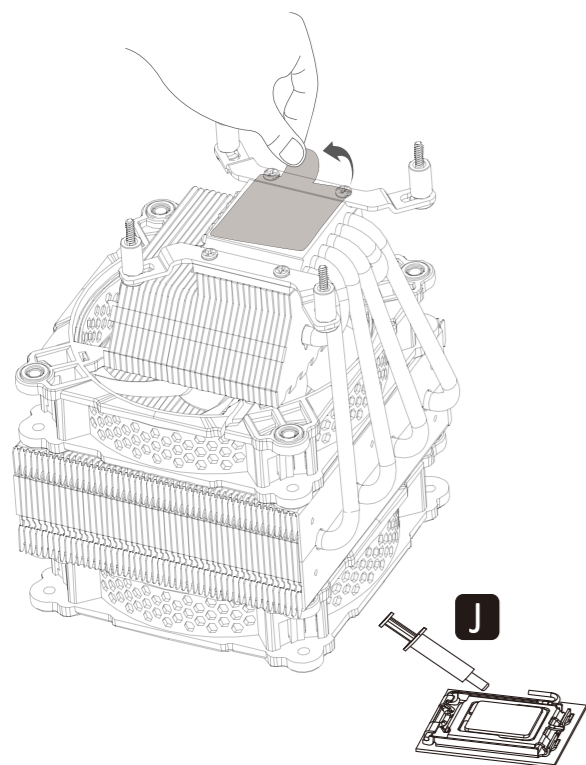
EN Connect the fan, connector to the CPU fan power socket or the motherboard, At the same time, connect the RGB lamp line to the host or connect it to the encoder wiring as required.

CN 将CPU风扇导线与主板连接，同时跟据需要将RGB灯线与主板或编码器导线连接。

CR-301

User's Manual

Step 3



EN Apply the thermal grease evenly on to the CPU surface. Remove the protective film from the cooler base.

CN 将散热膏均匀地涂抹在CPU表面上，并取下散热器底座上的保护贴膜。