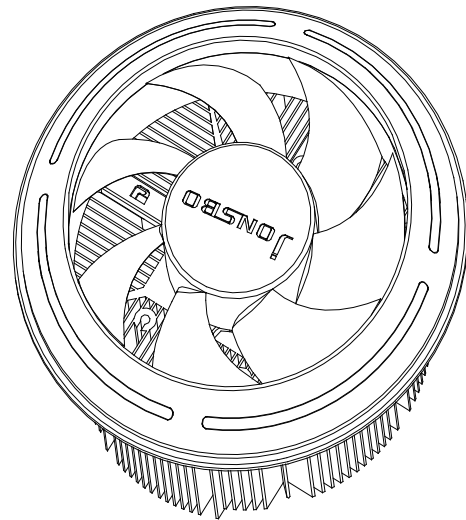
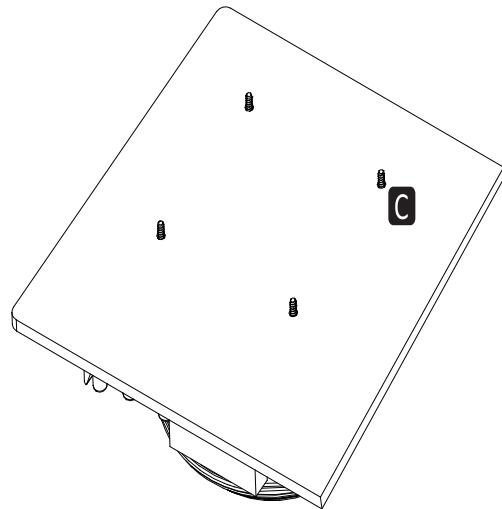


**A** CPU heat sink



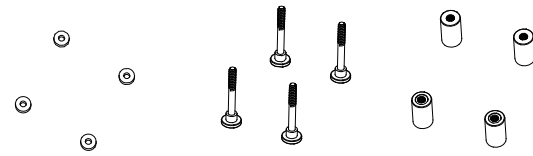
Step 4



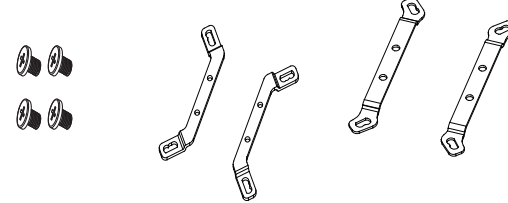
**EN** Pointing the holes of the motherboard to the positioning screws of the cooler, and then assemble them together.

**CN** 将主板孔位对准散热器定位螺丝，反扣于散热组上。

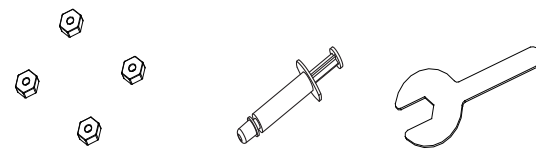
**B** flat ring gasket **C** Position Screw **D** Stand-off



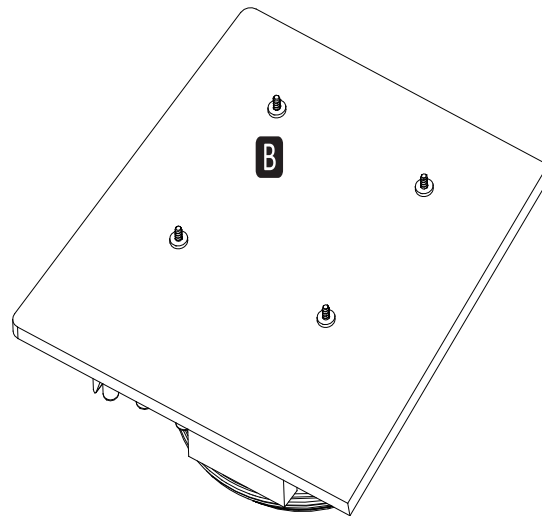
**E** Bracket Screw **F** Intel Bracket **G** AMD Bracket



**H** hex nut **I** thermal Grease **J** Open wrench



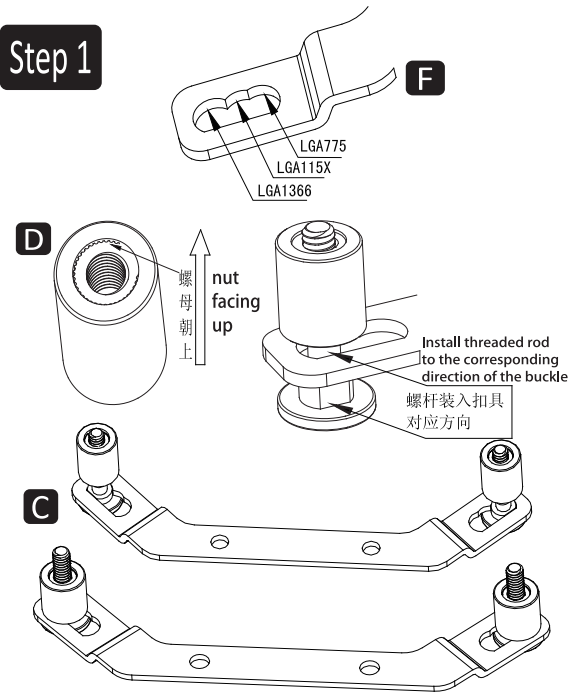
Step 5



**EN** Install insulating washers.

**CN** 装入绝缘垫片。

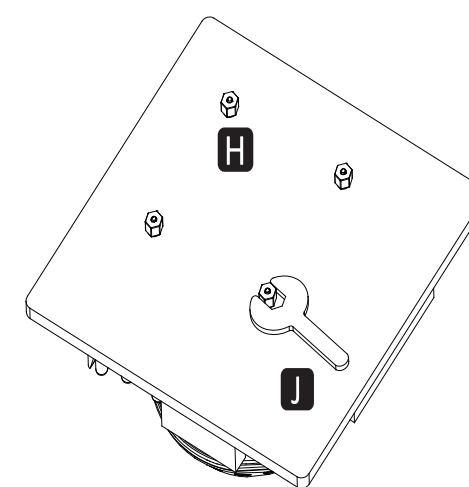
Step 1



**EN** Install threaded rod to the corresponding holes of INTEL bracket as needed fixing it with nut facing up.

**CN** 根据需要将螺杆装入INTER对应孔位内，将隔套内螺母朝上拧紧固定。

Step 6



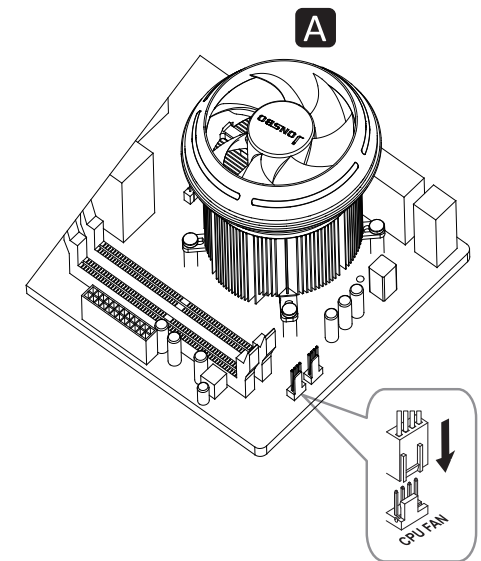
**EN** Fix the coolers on the motherboard by fixing the hex nuts with the wrench.

**CN** 用开口板手拧紧六角螺母，将散热阻固定到主板上。

**EN** Place INTEL bracket on the cooler base, and then use bracket screws to fix it.

**CN** 将INTER支架安装到散热组上，并用螺丝拧紧。

Step 7



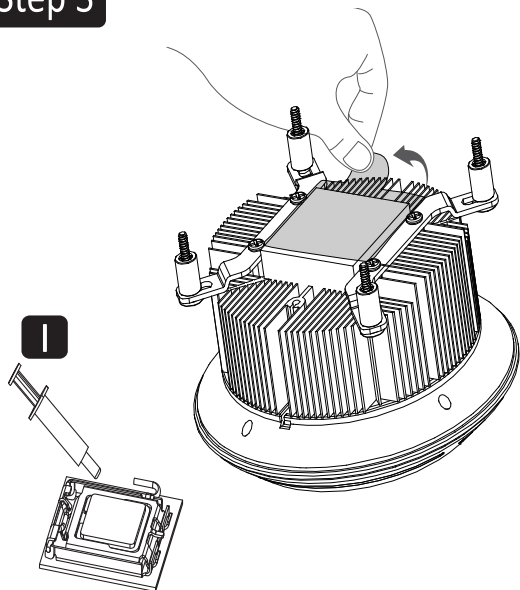
**EN** The board in place, the fan wire connector is connected with the mainboard.

**CN** 主板归位后，将风扇导线接头与主板连接。

# CR-901

## User's Manual

Step 3



**EN** Apply the thermal grease evenly onto the CPU surface. Remove the protective film from the cooler base.

**CN** 将散热膏均匀地涂抹在CPU表面上，并取下散热器底座上的保护膜。

# Chapter 3 - AMD Installation

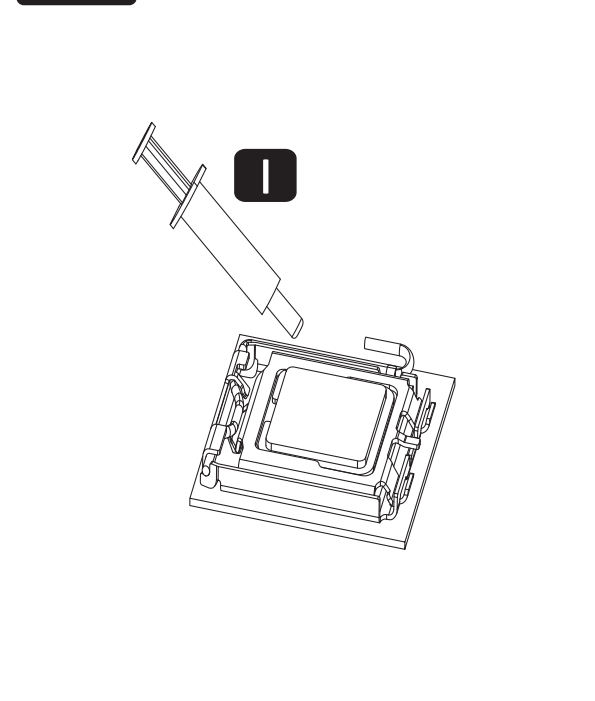
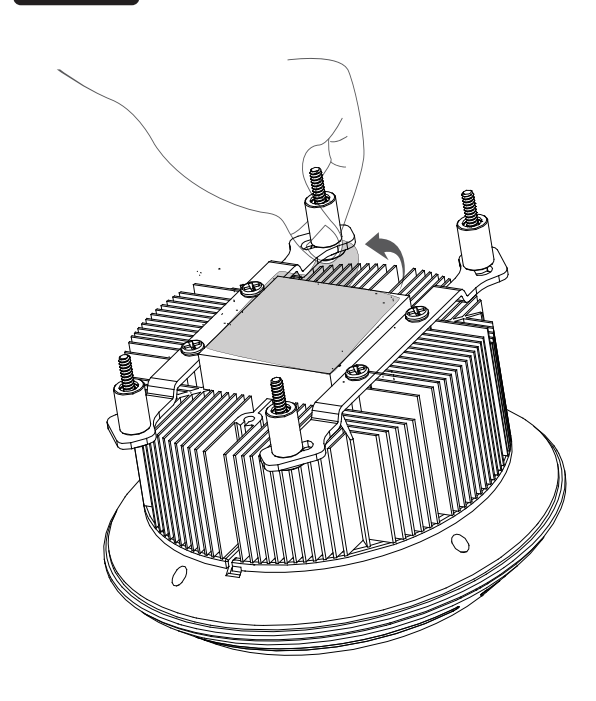
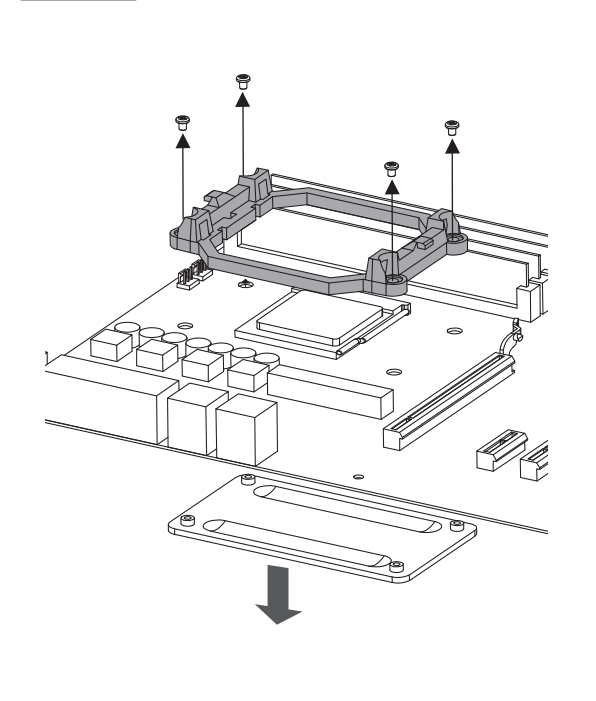
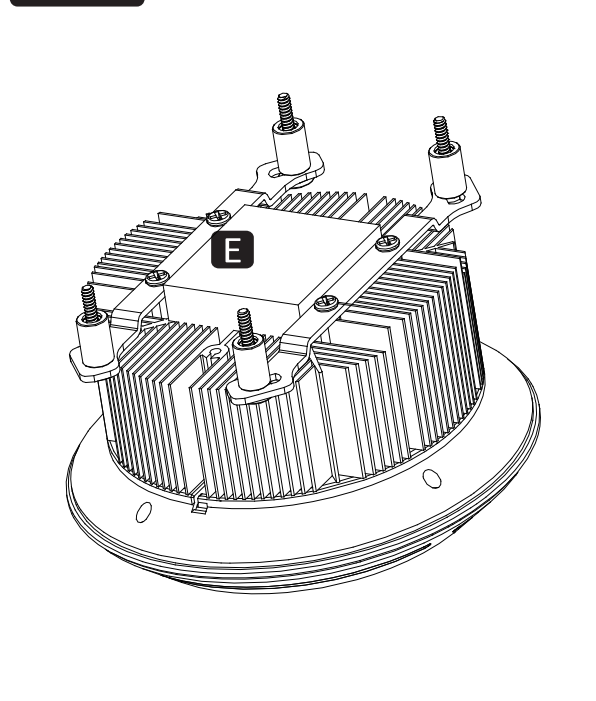
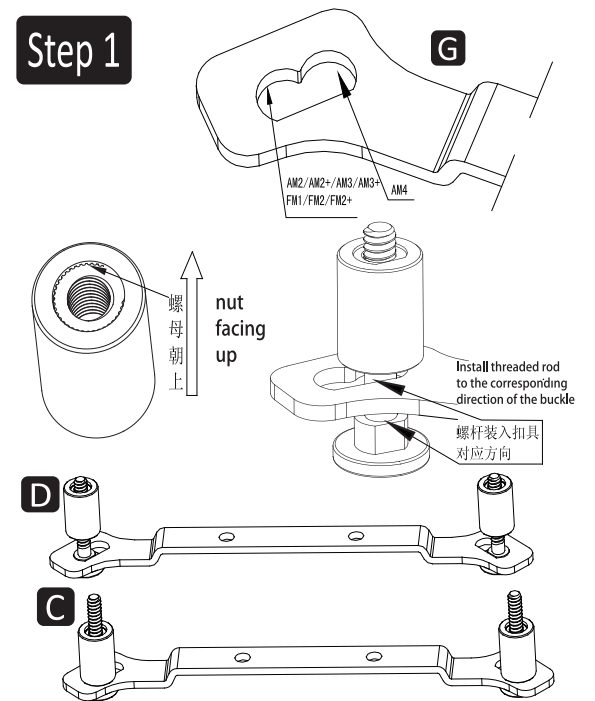
## Step 2

## Step 3

## Step 4

## Step 5

## Step 1



**EN** Install threaded rod to the corresponding holes of AMD bracket as needed, fixing it with nut facing up.

**CN** 根据需要将螺杆菌装入AMD扣具对应孔位内，将隔套内螺母朝上拧紧固定。

**EN** Install the AMD bracket mount on the cooler base. Fasten the AMD bracket with screws.

**CN** 将AMD支架安装到散热器底座，并用螺丝将其锁紧。

**EN** Please remove the original heatsink mount hoder before further installation.

**CN** 请将AMD主板上的原厂散热支架移除。

**EN** Remove the radiator protective film.

**CN** 移除散热器保护膜。

**EN** Apply the thermal grease evenly onto the CPU surface.

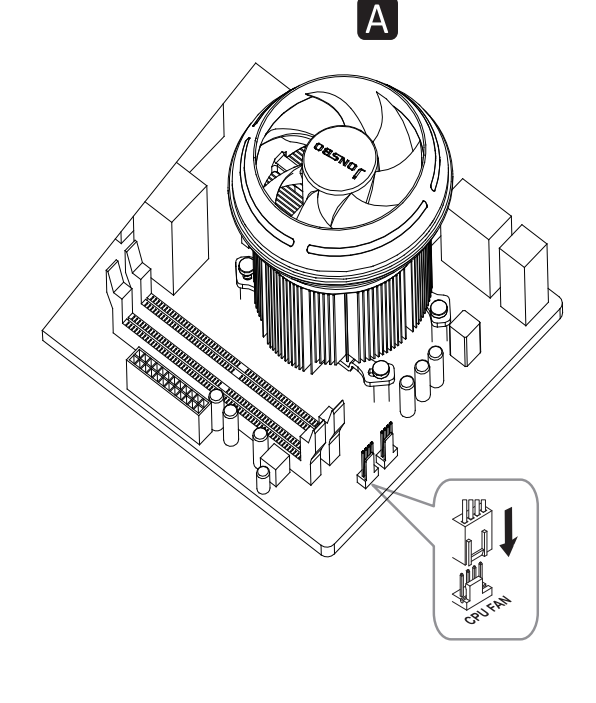
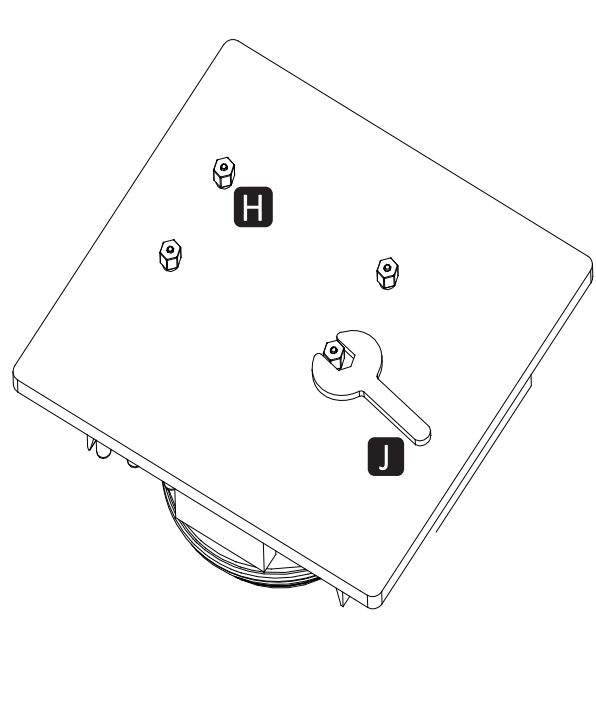
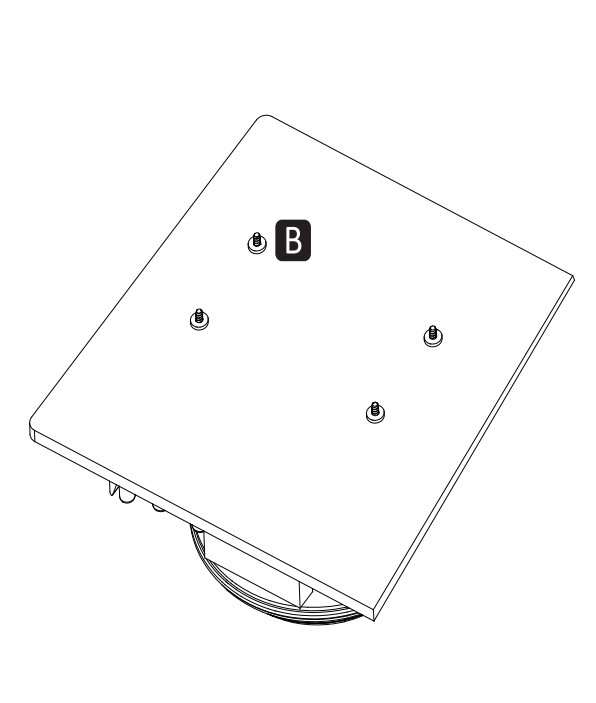
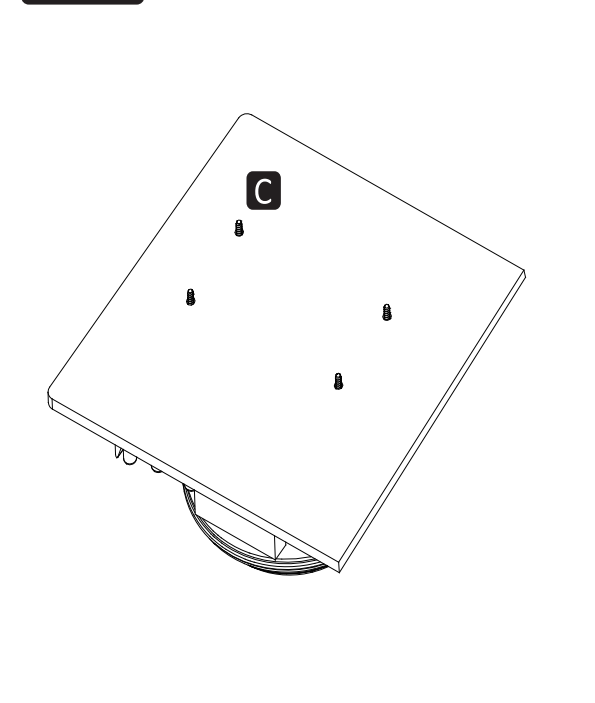
**CN** 将导热膏均匀涂抹于CPU表面上。

## Step 6

## Step 7

## Step 8

## Step 9



**EN** Pointing the holes of the motherboard to the poistioning screws of the cooler, and then assemble them together.

**CN** 将主板孔位对准散热器定位螺丝，反扣于散热组上。

**EN** Install insulating washers.

**CN** 装入绝缘垫片。

**EN** Fix the coolers on the motherboard by fixing the hex nuts with the wrench.

**CN** 用开口板手拧紧六角螺母，将散热阻固定到主板上。

**EN** The board in place, the fan wire connector is connected with the mainboard.

**CN** 主板归位后，将风扇导线接头与主板连接。

# CR-901

**JONSBO**  
For your real needs