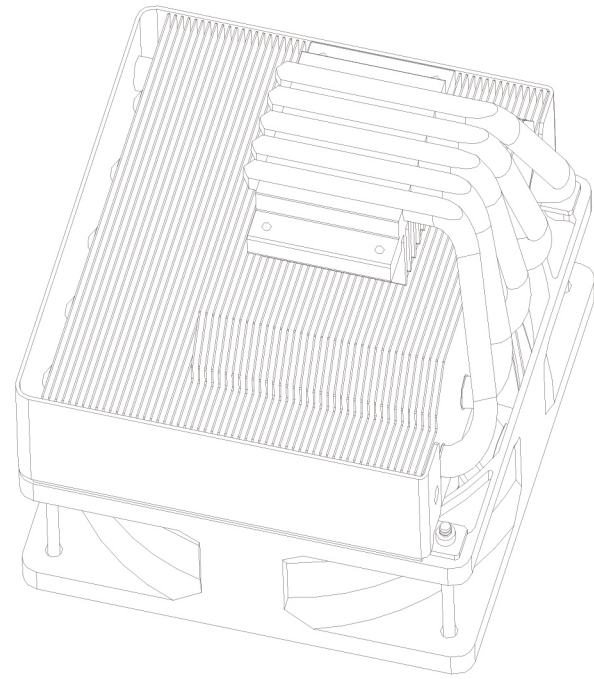
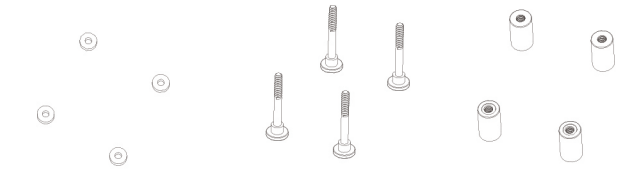


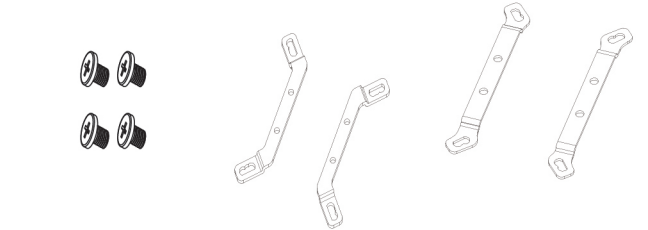
A CPU heat sink



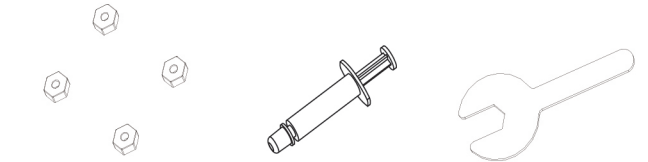
B flat ring gasket **C** Position Screw **D** Stand-off



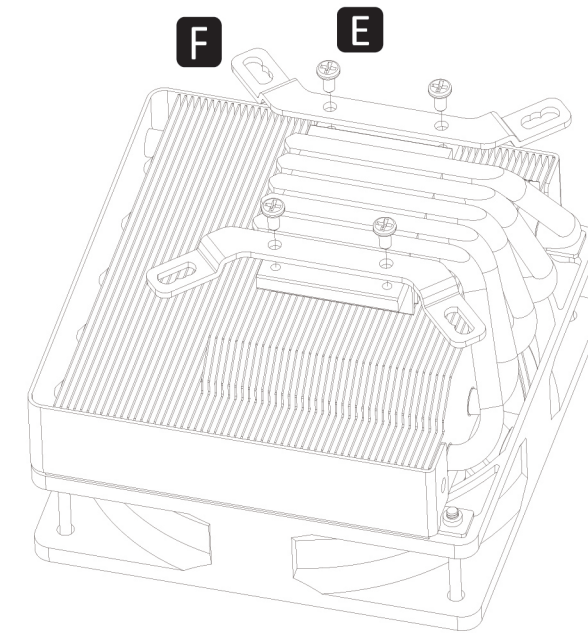
E Bracket Screw **F** Intel Bracket **G** AMD Bracket



H hex nut **I** thermal Grease **J** Wrench



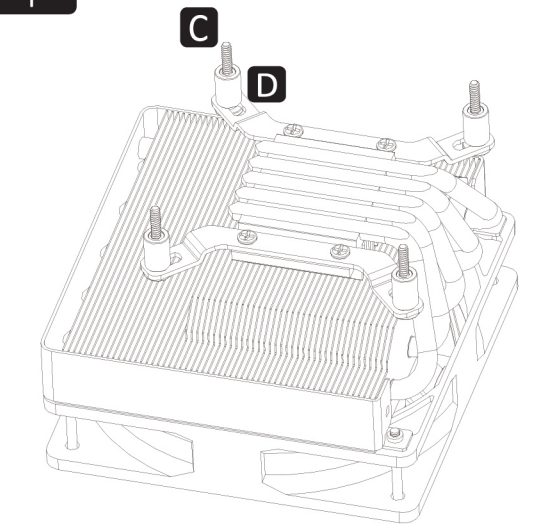
Step 1



EN Place INTEL bracket on the cooler base, and then use bracket screws to fix it.

CN 将INTEL支架安装到散热组上，并用螺丝拧紧。

Step 2



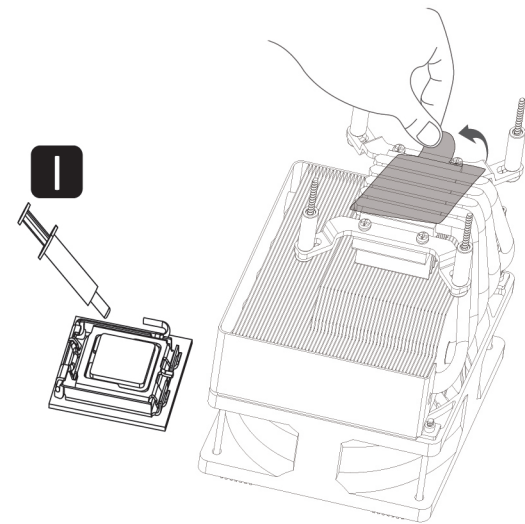
EN Install threaded rod to the corresponding holes of INTEL bracket as needed, fixing it with nut facing up.

CN 根据需要将螺杆装入INTEL对应孔位内，将隔套内螺母朝上拧紧固定。

CR-701

User's Manual

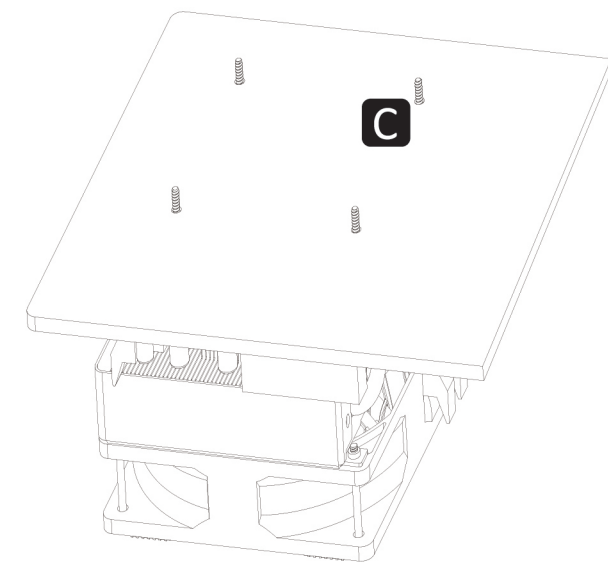
Step 3



EN Apply the thermal grease evenly onto the CPU surface. Remove the protective film from the cooler base.

CN 将散热膏均匀地涂抹在CPU表面上，并取下散热器底座上的保护膜。

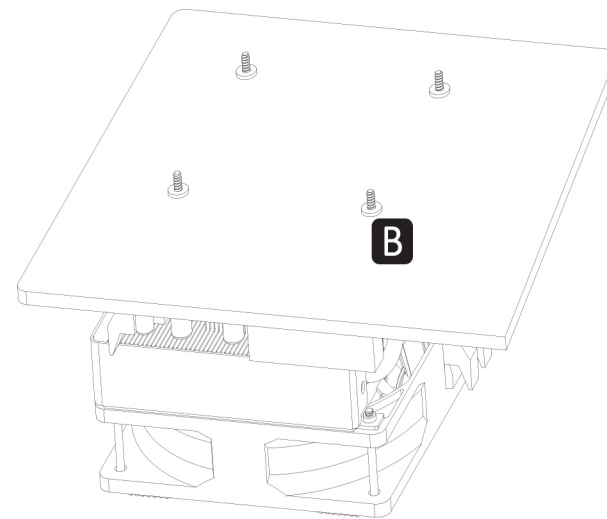
Step 4



EN Pointing the holes of the motherboard to the positioning screws of the cooler, and then assemble them together.

CN 将主板孔位对准散热器定位螺丝，反扣于散热组上。

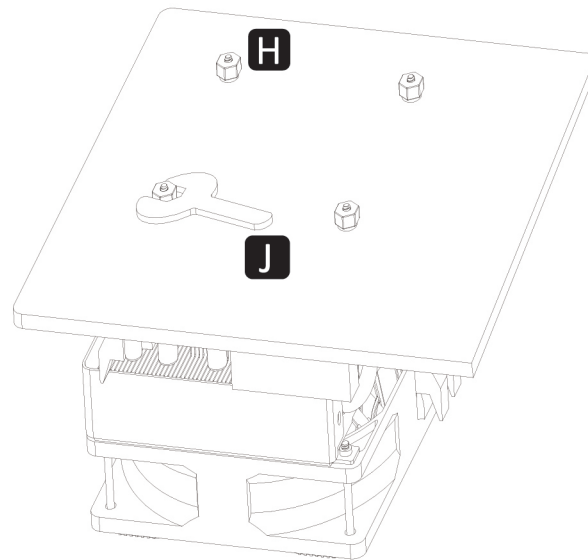
Step 5



EN Install insulating washers.

CN 装入绝缘垫片。

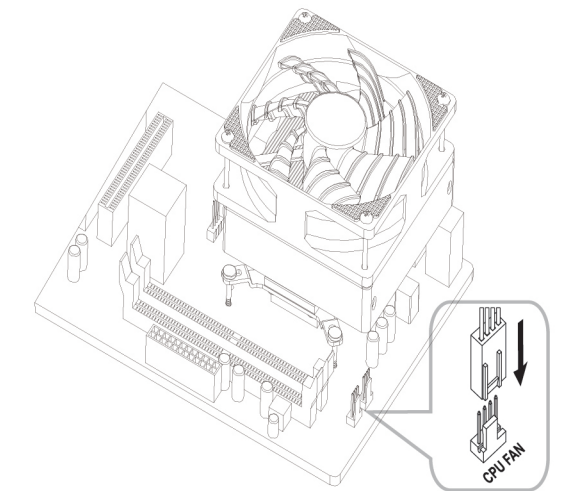
Step 6



EN Fix the coolers on the motherboard by fixing the hex nuts with the wrench.

CN 用开口板手拧紧六角螺母，将散热组固定到主板上。

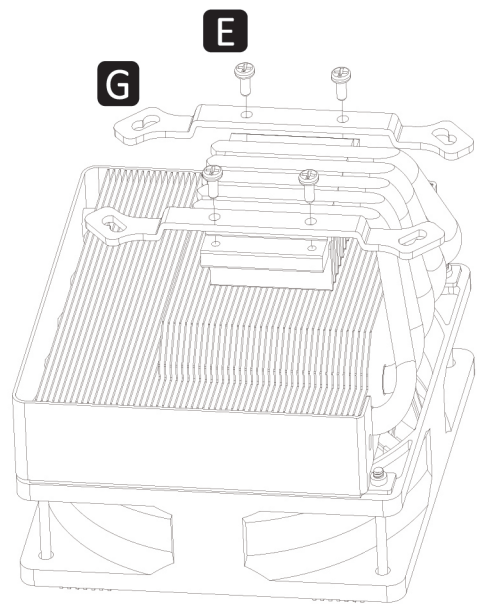
Step 7



EN The board in place, the fan wire connector is connected with the mainboard.

CN 主板归位后，将风扇导线接头与主板连接。

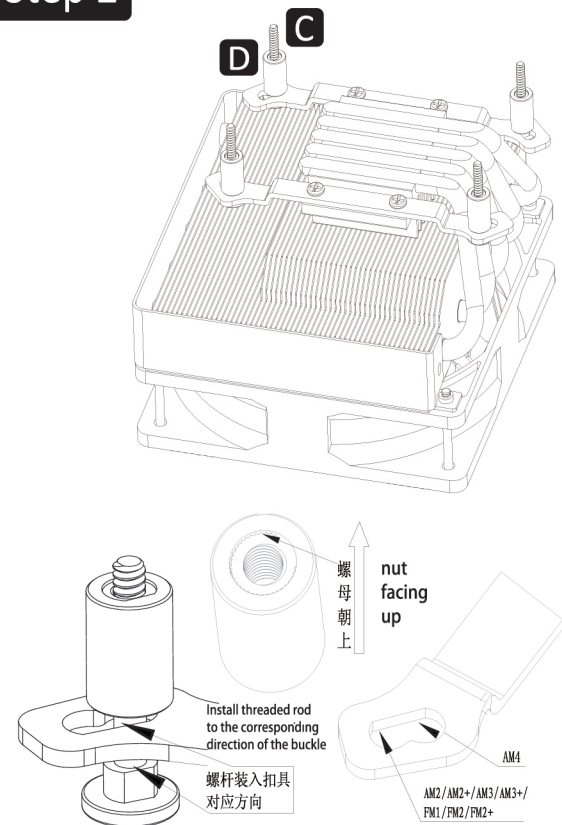
Step 1



EN Install the AMD bracket mount on the cooler base. Fasten the AMD bracket with screws.

CN 将AMD支架安装到散热器底座，并用螺丝将其锁紧。

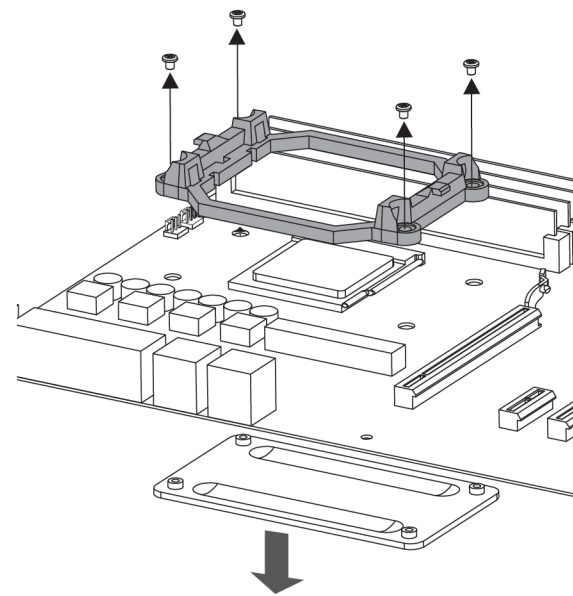
Step 2



EN Insert threaded rod to the corresponding holes of AMD bracket as needed, fixing it with nut facing up.

CN 根据需要将螺杆菌装入AMD对应孔位内，将隔套内螺母朝上拧紧固定。

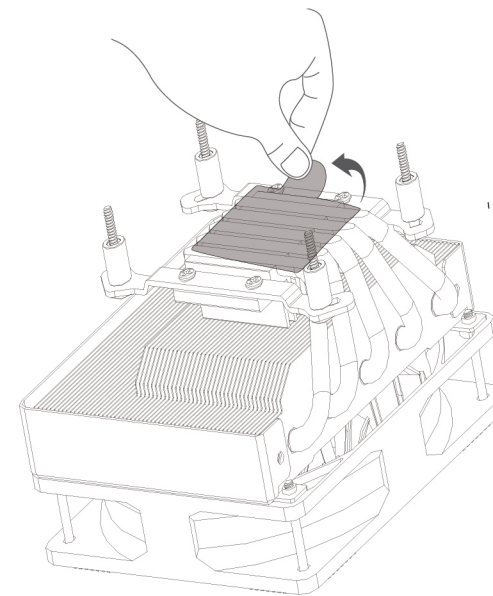
Step 3



EN Please remove the original heatsink mount hoder before further installation.

CN 将AMD主板上的原厂散热支架移除。

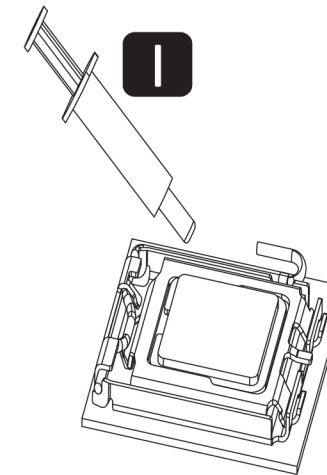
Step 4



EN Remove the radiator protective film

CN 移除散热器保护膜

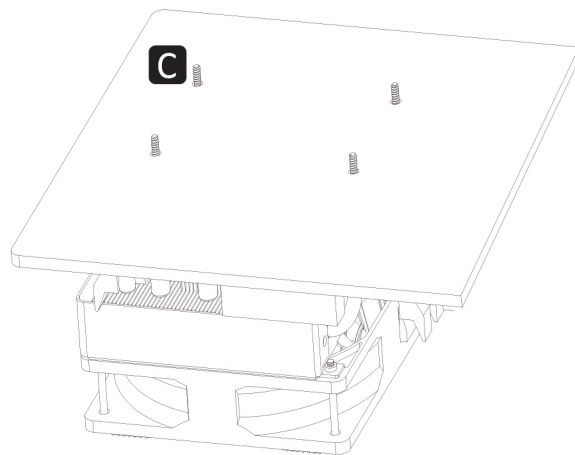
Step 5



EN The thermal paste evenly on the surface of CPU

CN 将导热膏均匀涂抹于CPU表面上。

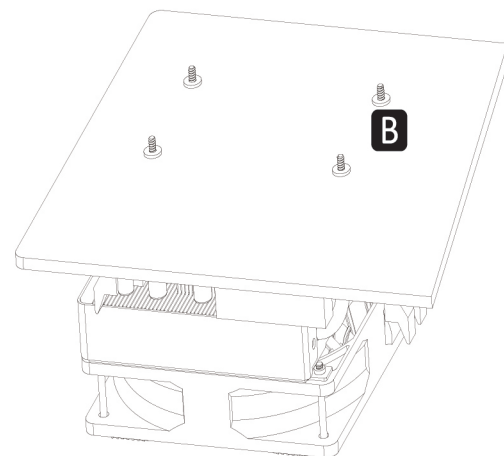
Step 6



EN Pointing the holes of the motherboard to the poistioning screws of the cooler, and then assemble them together.

CN 将主板孔位对准散热器定位螺丝，反扣于散热组上。

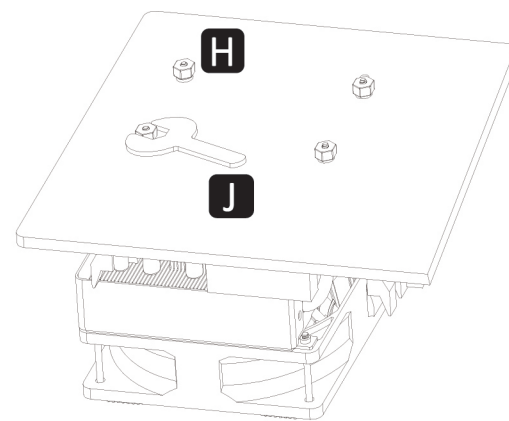
Step 7



EN Install insulating washers.

CN 装入绝缘垫片。

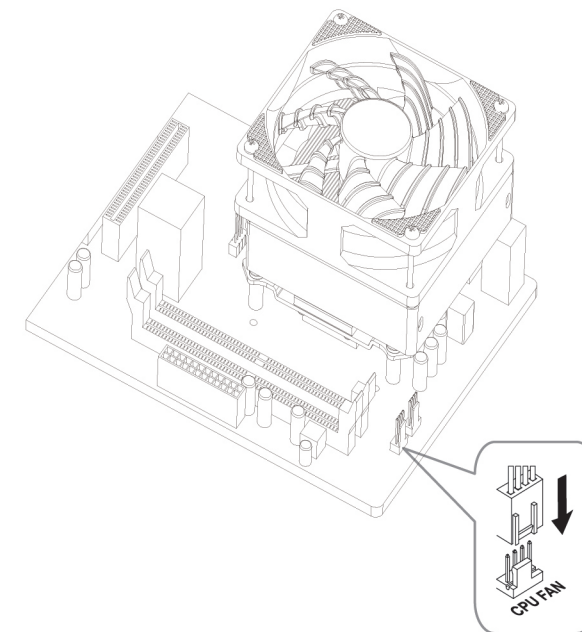
Step 8



EN Fix the coolers on the motherboard by fixing the hex nuts with the wrench.

CN 用开口板手拧紧六角螺母，将散热阻固定到主板上。

Step 9



EN The board in place, the fan wire connector is connected with the mainboard .

CN 主板归位后，将风扇导线接头与主板连接。

CR-701

