

General specifications

Dimension	174mm (W) ×344mm (D) ×304mm (H)
Material	2.0mm aluminum alloy plate, 0.8mm steel plate
Motherboard	ITX
Drive Bay	2.5SSD×2
Front IO Port	USB3.0 ×1/AUDIO x1/Type-C ×1(20-pin combined)
Power Supply	ATX,SFX (not longer than 150mm) (Additional adapter bracket required for SFX ,optional)
CPU Cooler	Not higher than 75mm
Video Card	Length up to 330mm
PCI Expansion Slot	2
Cooling system (Optional)	Top : 120mm×2 (optional) Bottom : 120mm×2 (optional)
Weight	3KG(with side aluminum panel) 3.6KG(with side glass panel)

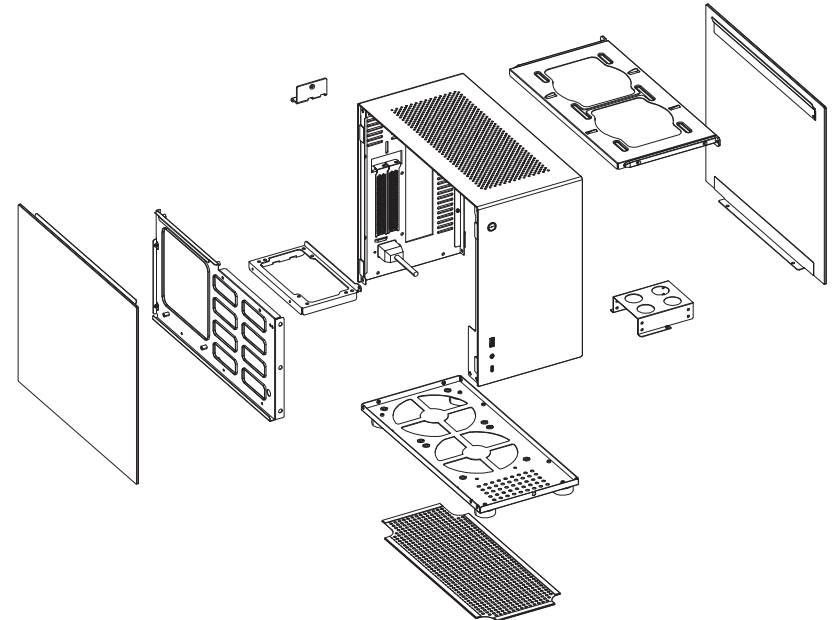
Package Content - Lieferumfang - Contenu de L'emballage - 包裝內容

Image	Q'ty	Used for - benutzt für - utilisé pour-用途	Image	Q'ty	Used for - benutzt für - utilisé pour-用途
	16PCS	Screw/ Schraube/Vis-Fan/ ufter/ ventilateur/ 鎖風扇螺絲		5PCS	Washer /Dichtungsring /rondelle/ 螺絲墊片
	4PCS	Screw /Schraube /Vis - PSU/ 鎖電源		5PCS	Cable tie /kabelbinder /serre-câbles/ 束線帶
	15PCS	Screw/Schraube/Vis-MB/PCI-E/2.5"SSD bracket 鎖主機板-顯卡轉接線-2.5"SSD架		1PCS	PCI-E riser/PCI-E-Steigkabels/ montage PCI-E/PCI-E轉接線

Connectors - Anschlüsse - Connecteurs - 連接器

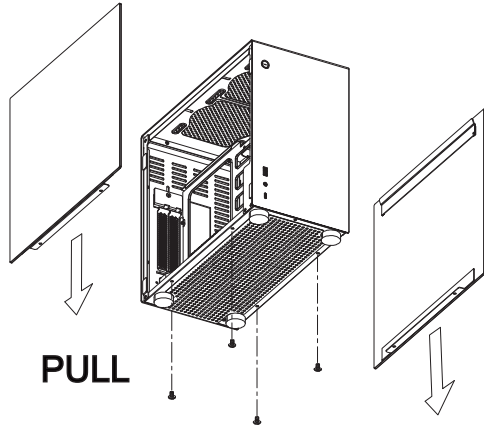
USB 3.0 Connection	HD AUDIO Connection	Power Button Connection
 VBUS SBRX1+ SBRX1- GND SBTX1+ SBTX1- GND D1+ D1- D2+ D2- VBUS SBRX2+ SBRX2- GND SBTX2+ SBTX2- GND D2+ D2-	 PORT 1L PORT 1R PORT 2R SENSE_SEND PORT 2L AUX GND PRESENCE SENSE1_RETURN SENSE2_RETURN	 + -
 + -		

Parts Diagram - Teilediagramm - diagramme des pièces - 零件圖



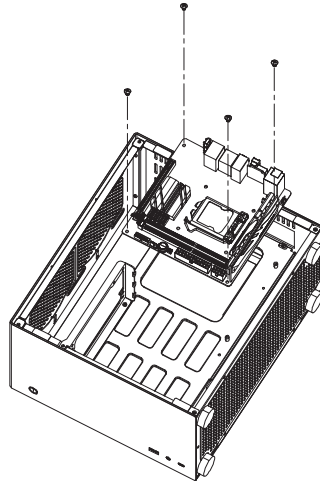
1. Side panel
 1. Entfernen der Seitenwand
 1. Retrait du panneau latéral
 1. 開啟側板

1



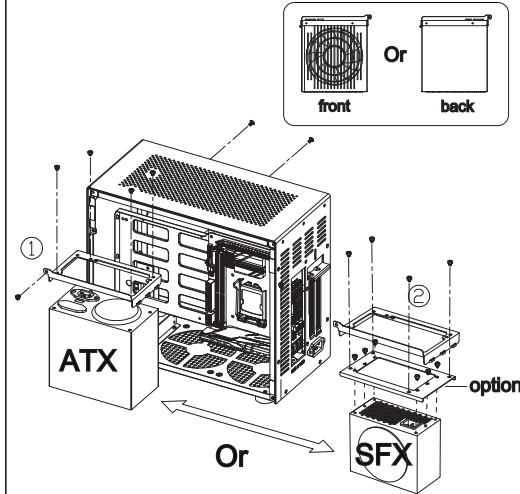
2. Motherboard Installation
 2. Installation Hauptplatine Zubehör
 2. Installer l'ensemble carte mere
 2. 主機板安裝

2



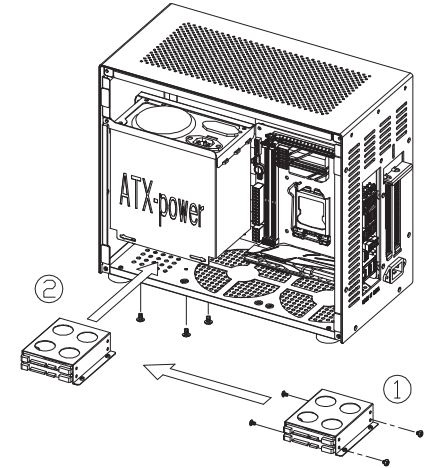
3. Install the Power Supply
 3. Installation Netzteil
 3. Installer le bloc d'alimentation
 3. 安裝電源

3



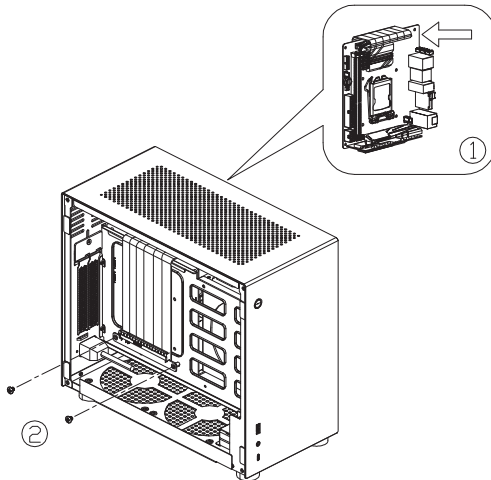
4. 2.5" SSD installation
 4. Installation 2.5"SSD
 4. Installer 2.5"SSD
 4. 安裝2.5" SSD

4



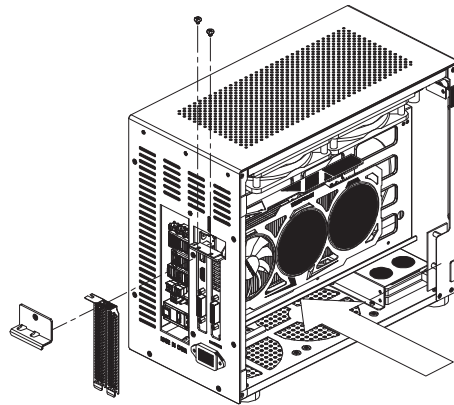
5. PCI-E riser cable installation
 5. Installation des PCI-E-Steigkabels
 5. Installation du câble de montage PCI-E
 5. 裝顯卡轉接線

5



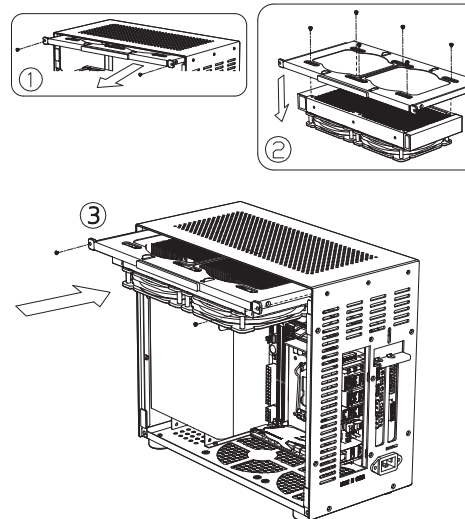
6. Graphics card installation
 6. Installation Grafikkarte
 6. Installer la carte graphique
 6. 顯卡安裝

6



7. 240 radiator installation
 7. 240 Kühlerinstallation
 7. Installation de 240 radiateurs
 7. 安裝240散熱水排

7



8. Cooling Support
 8. Kühlungsunterstützung
 8. Support de refroidissement
 8. 散熱支持

8

