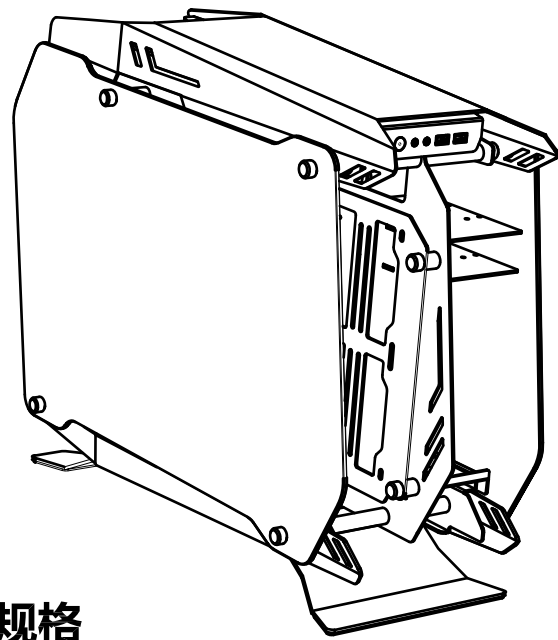


MOD4-Manual/说明书



Specification/产品规格

Product Size/产品尺寸	249MM(W)×564MM(D)×477MM(H)/249MM(宽)×564MM(深)×477(高)
Material/材质	2.0+3.0MM/Aluminum Magnesium Alloy/2.0+3.0MM铝镁合金架构、3.0MM支撑脚架/3.0MM Footstand (SPCC钢板)
	Tempered Glass 4MM /钢化玻璃 4MM
Main Board Type /主板兼容	ITX、M-ATX、ATX
HDD/硬盘位	2.5SSD×3、3.5HDD×2 / 3.5兼容安装2.5SSD/bracket is compatible with 3.5HDD/2.5SSD
Front I/O Prot/前I/O端口	USB3.0×2、AUDIO×1、MIC×1
Power Support/电源	Standard ATX, the length of PSU should be within 160mm / By removing 1 HDD bracket, the length can be increased to 180mm / 标准ATX、电源长度支持160MM / 取下一个硬盘托架增加到180MM
Radiator/CPU散热器	Height up to 165MM/散热器最高165MM
Video Card/显卡	Length up to 320MM/显卡支持320MM
PCI Slot/PCI拓展槽	7
FAN/风扇 (Fan is not built-in) (风扇非标配)	top/顶: 120MM×3
	Fan fixing plate/风扇固定板: 120MM×2
	bottom/底: 120MM×2
Weight/重量	Net/净重: 9KG

Accessories/Screws/配件包

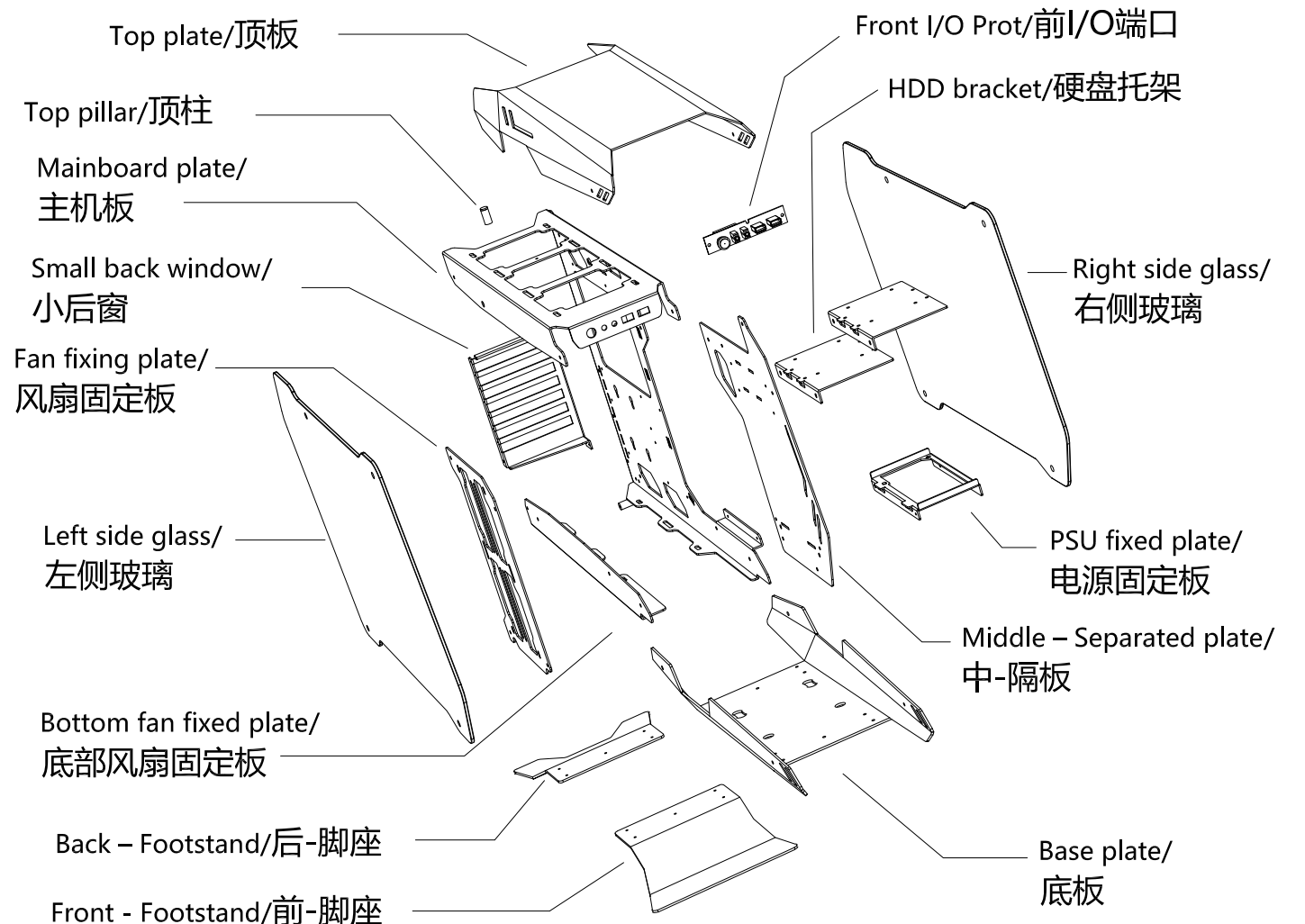
	2.5SSD硬盘螺丝/SSD screw	4PCS		电源×4/主板×9/PSU x 4 /Mainboard x 9	14PCS
	2.5HDD橡胶垫片/Rubber gasket	4PCS		红滑丝垫片/Red slipped gasket	14PCS
	六角铜柱/Hexagon pillars	1PCS		3.5HDD硬盘螺丝//3.5/HDD screw	8PCS
	束线带/Cable ties	5PCS		2.5SSD硬盘螺丝/2.5/SSD screw	8PCS

Connector/连接说明

<p>USB 3.0 Connection</p>	<p>HD AUDIO Connection</p>
<p>Power Button Connection</p>	<p>Power LED Connection</p>

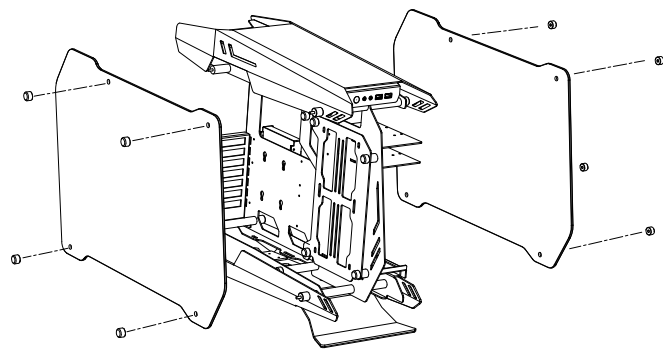
Product exploded drawing

产品爆炸图



Side tempered glass/
玻璃侧板

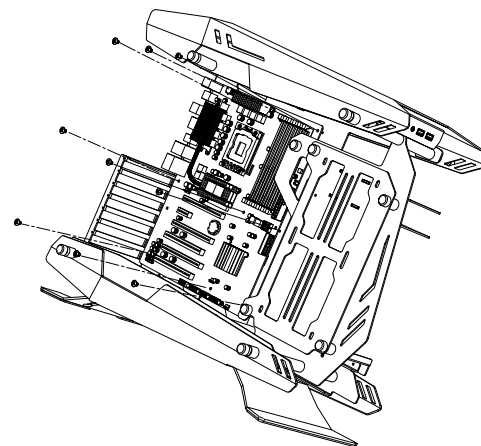
1



- 1、拆下左/右玻璃侧板螺丝，可取下左/右玻璃。/
Unscrew left/right side plate screws, and take out left/right glass

Install Motherboard/
主板安装

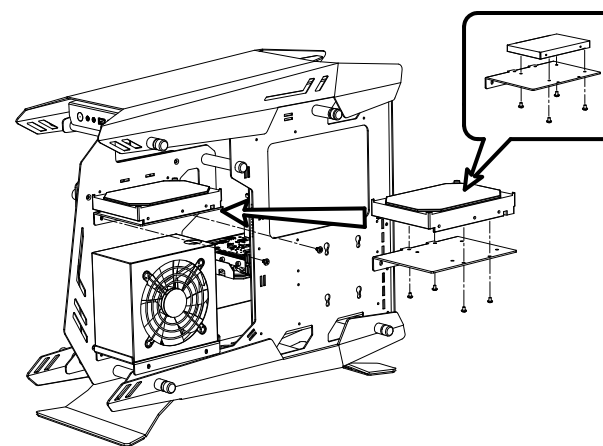
2



- 1、把主板放在图示安装区，用9颗螺丝锁好主板。/
Fix mainboard with 9 screws on the installation area shown

Install 3.5HDD-01/
硬盘安装-01

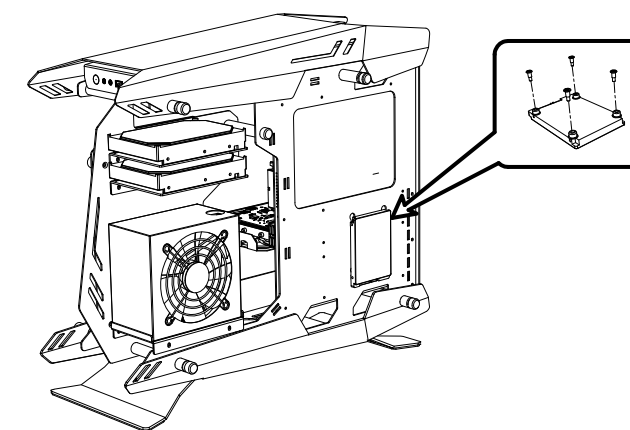
5



- 1、拆下硬盘托架。/Remove HDD bracket
2、用4颗螺丝从硬盘托架底部固定住硬盘。/
Use 4 screws to fix HDD from HDD bracket bottom
3、固定硬盘后，插入中-隔板卡孔内，用螺丝锁住硬盘托架。/
After fixing HDD, insert into middle - separated plate, and fix HDD bracket with screws
(硬盘托架兼容安装3.5HDD/2.5SSD)。
(HDD bracket is compatible with 3.5HDD/2.5SSD)

Install 2.5SSD-02/
硬盘安装-02

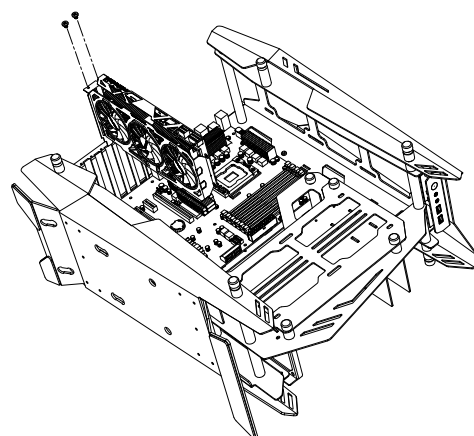
6



- 1、用《零件盒》螺丝/胶垫/组装好硬盘。/
Use screws/rubber mat from accessories box to assemble SSD
2、组好的硬盘插入主机板背部卡槽内。/
After assembling SSD, lock it on the back of mainboard plate

Video Card Installation/
显卡安装

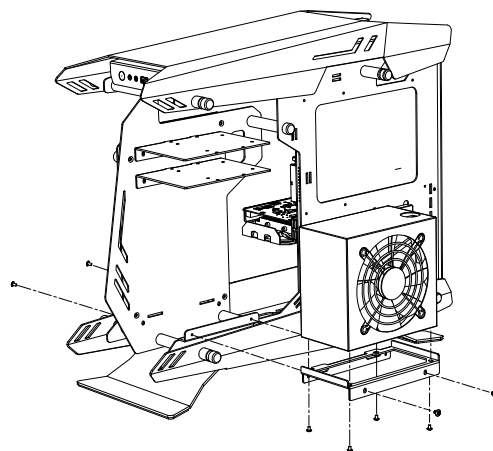
3



- 1、显卡插入主板卡槽内。/
Insert video card into mainboard slot
2、用螺丝锁主显卡。/
Fix video card with screws

Install PSU/
电源安装

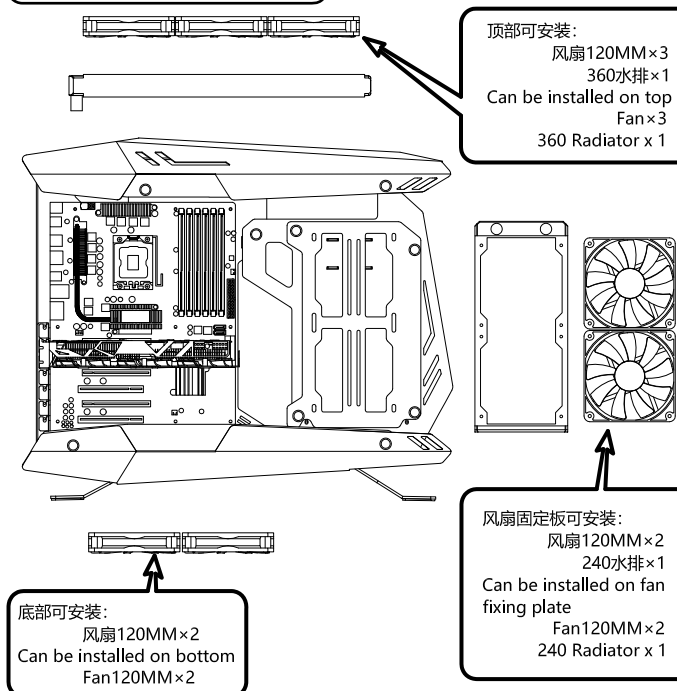
4



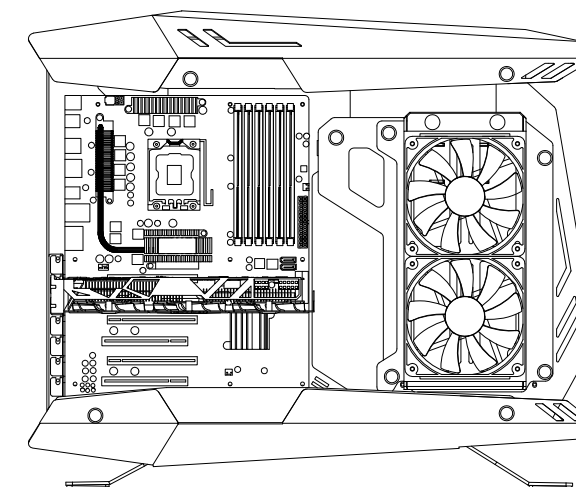
- 1、取下电源固定板。/Take out PSU fixing plate
2、用4颗螺丝把电源锁在固定板上。/
Use 4 screws to lock PSU on PSU fixing plate
3、插入中-隔板卡孔内，两端用4颗螺丝固定。/
Insert into middle - separated plate, and fix both sides with 4 screws

FAN- Water Cooler/
风扇-水冷

7



- 1、顶部风扇支持120MM×3/
Top part supports 120mm x 3 fans
2、风扇固定板支持：120MM×2。/
Fan fixing plate supports 120mm x 2 fans
3、底部风扇支持：120MM×2/
Bottom part supports 120mm x 2 fans



Assembling Finished
安装完成