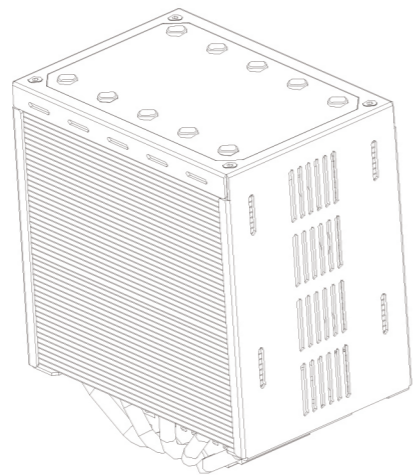
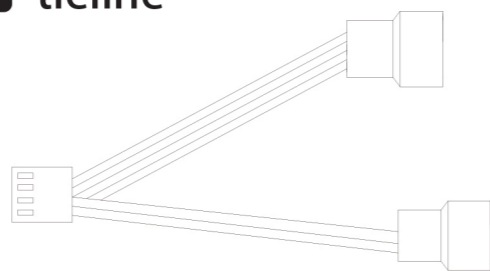


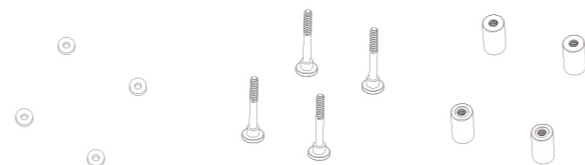
A CPU heat sink



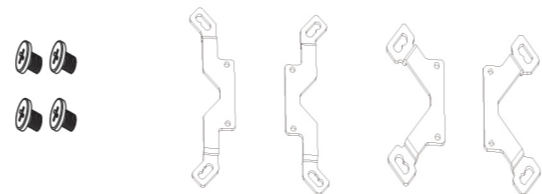
B tieline



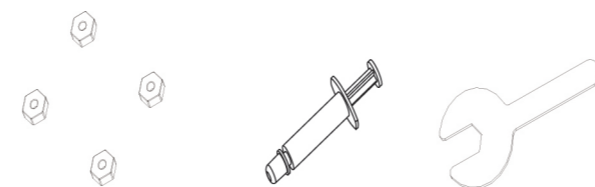
C Washer **D** Positioning Screw **E** Stand-off



F Bracket Screw **G** Intel Bracket **H** AMD Bracket



I hex nut **J** Thermal Grease **k** Wrench

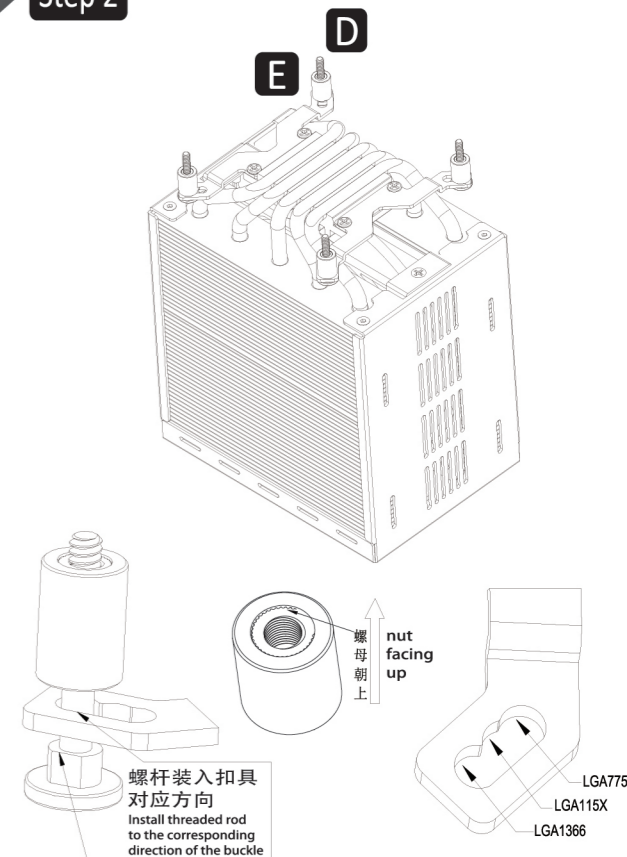
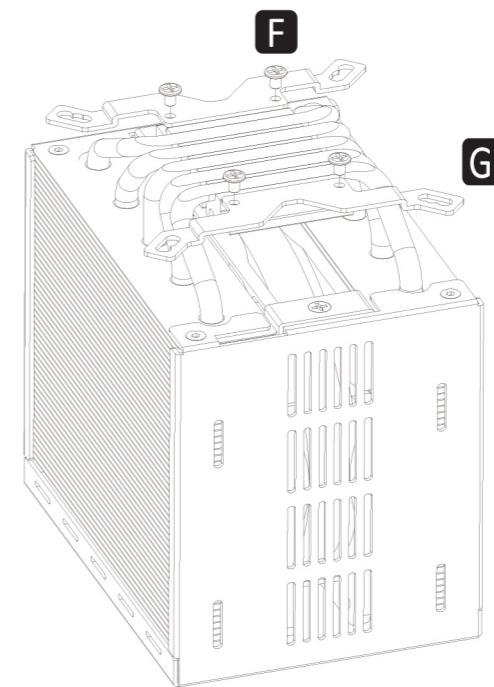


L Back Plate



Step 2

Step 1



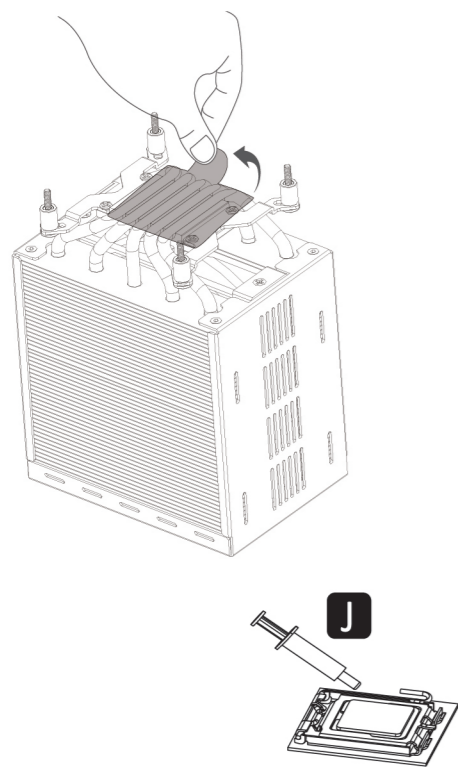
EN Place INTEL bracket on the cooler base, and then use bracket screws to fix it.

CN 将INTEL支架安装到散热组上，并用螺丝拧紧。

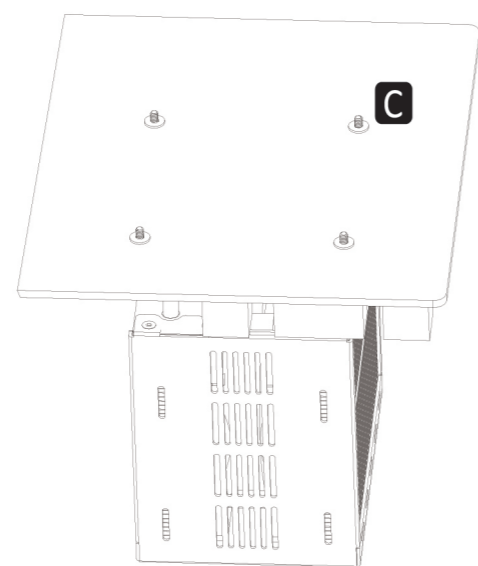
EN Install threaded rod to the corresponding holes of INTEL bracket as needed, fixing it with nut facing up.

CN 根据需要将螺杆装入INTEL对应孔位内，将隔套内螺母朝上拧紧固定。

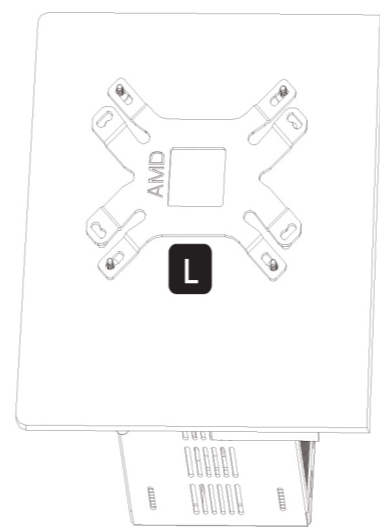
Step 3



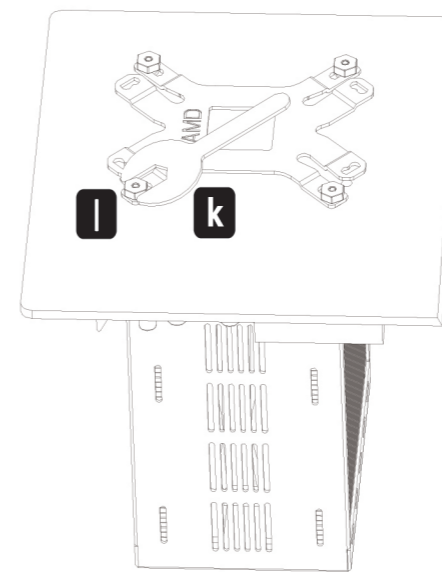
Step 4



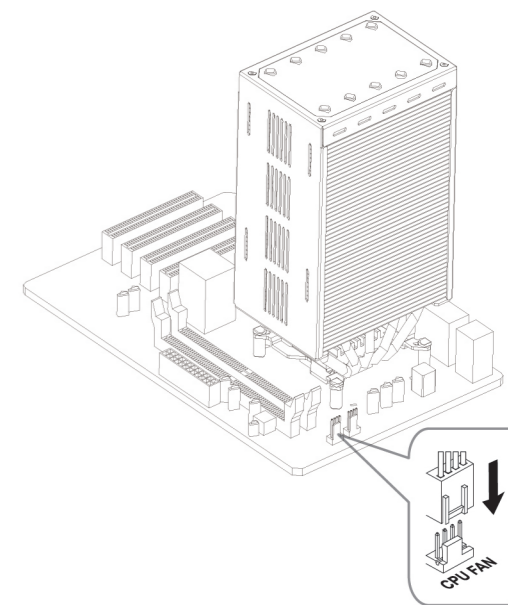
Step 5



Step 6



Step 7



EN Apply the thermal grease evenly on to the CPU surface. Remove the protective film from the cooler base.

CN 将散热膏均匀地涂抹在CPU表面上，并取下散热器底座上的保护膜。

EN Pointing the holes of the motherboard to the poistioning screws of the cooler, and then assemble them together, install insulating washers.

CN 将主板孔位对准散热器定位螺丝，反扣于散热组上，装入绝缘垫片。

EN Install back plate(as shown in the figure)

CN 装入背板（如图所示）。

EN Fix the coolers on the motherboard by fixing the hex nuts with the wrench.

CN 用开口板手拧紧六角螺母，将散热组固定到主板上。

EN Connect the CPU fan to the motherboard

CN 将CPU风扇导线与主板连接。

CR-401

User's Manual