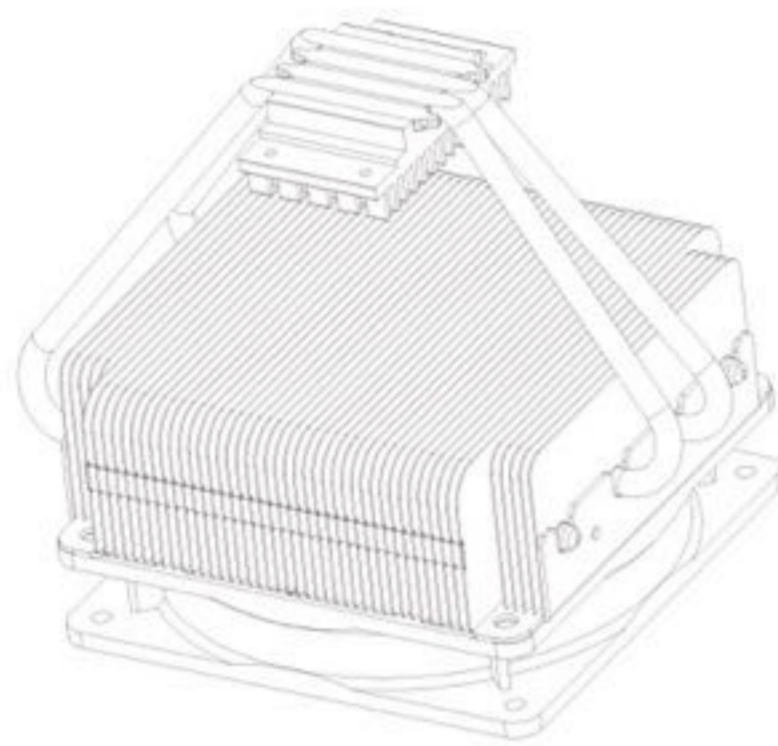


A CPU heat sink



CR-101

User's Manual

B Washer **C** Positioning Screw **D** Stand-off



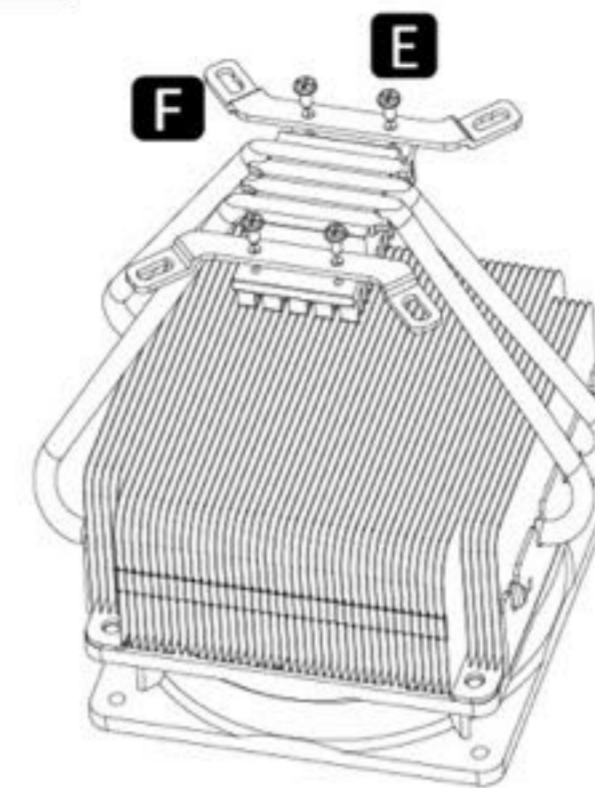
E Bracket Screw **F** Intel Bracket **G** AMD Bracket



H hex nut **I** Thermal Grease **J** Wrench



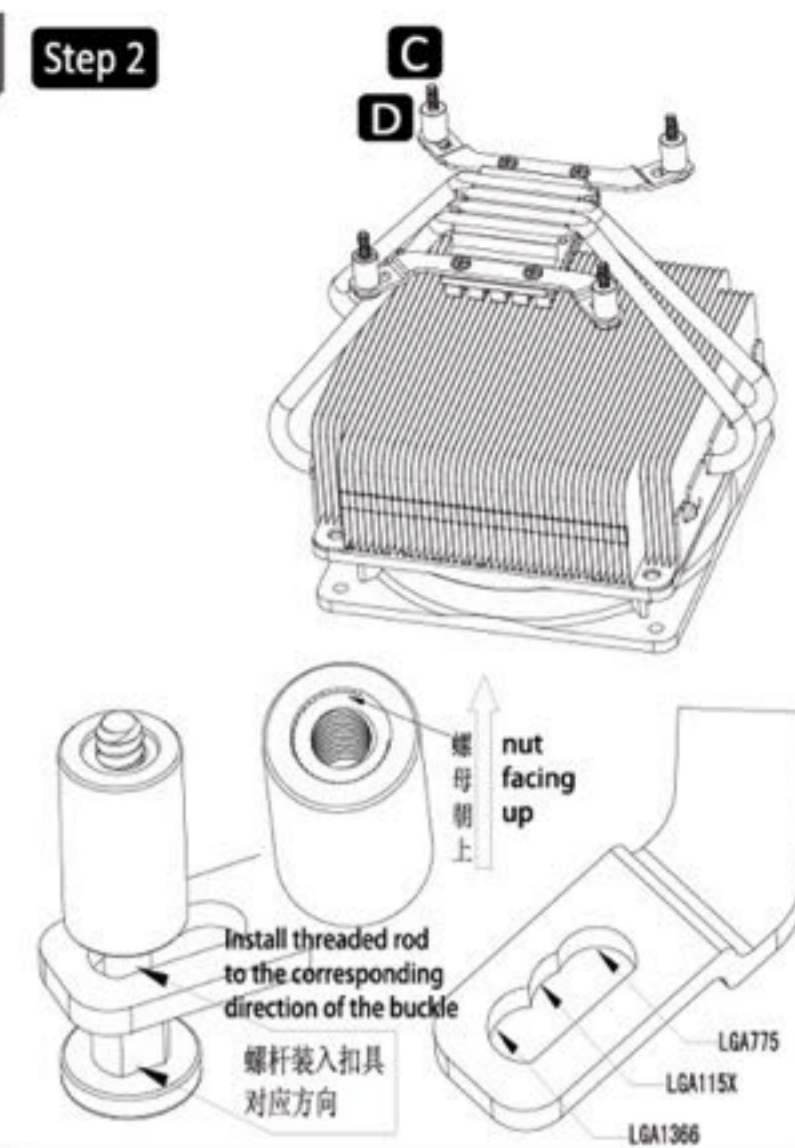
Step 1



EN Place INTEL bracket on the cooler base, and then use bracket screws to fix it.

CN 将INTEL支架安装到散热组上，并用螺丝拧紧。

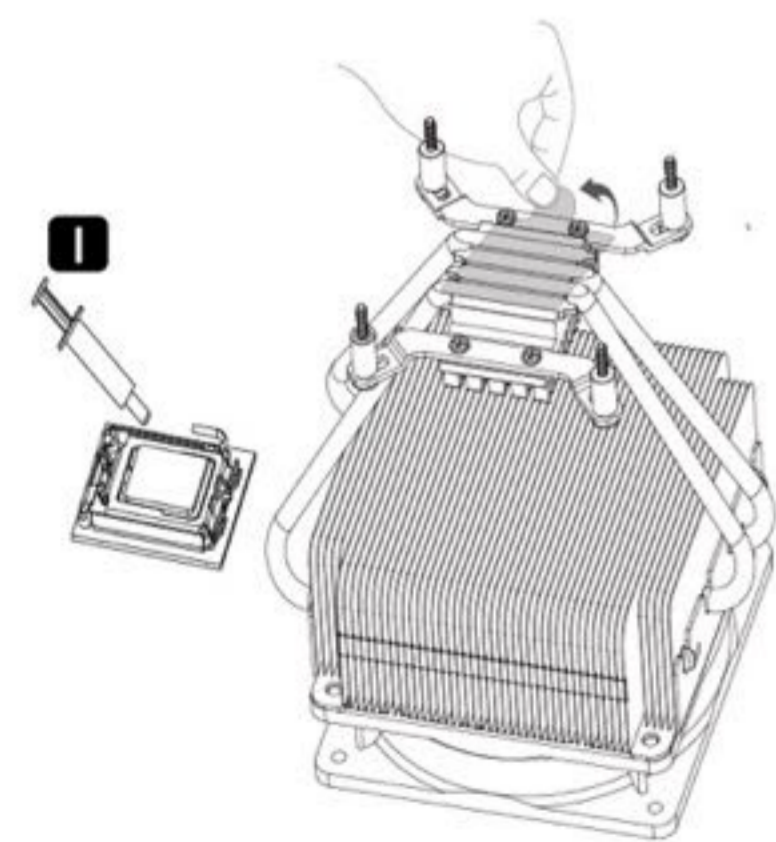
Step 2



EN Install threaded rod to the corresponding holes of INTEL bracket as needed, fixing it with nut facing up.

CN 根据需要将螺杆装入INTEL对应孔位内，将隔套内螺母朝上拧紧固定。

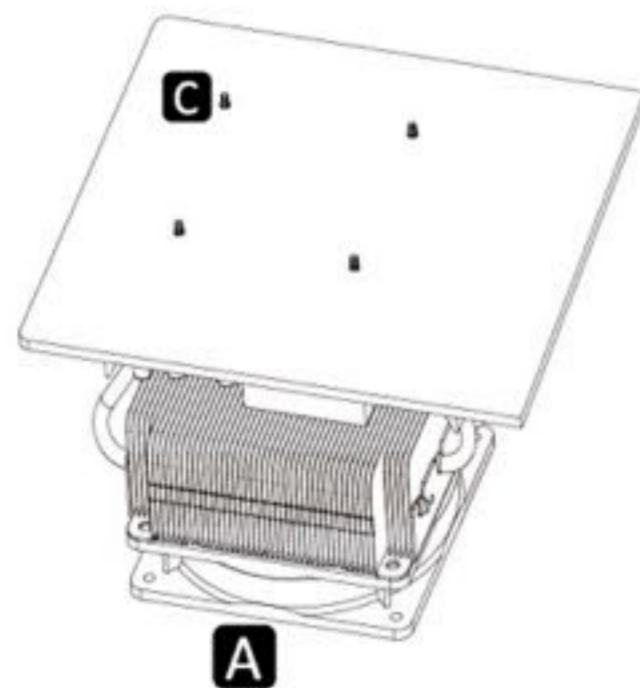
Step 3



EN Evenly apply the thermal grease onto the CPU, and remove the protective film from the cooler base.

CN 将散热膏均匀地涂抹在CPU表面上，并取下散热器底座上的保护贴膜。

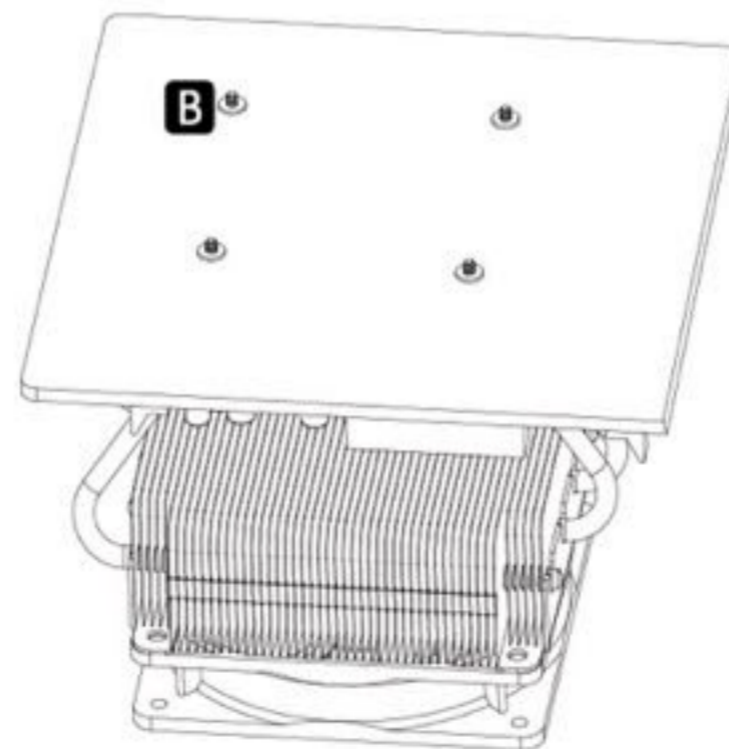
Step 4



EN Pointing the holes of the motherboard to the positioning screws of the cooler, and then assemble them together.

CN 将主板孔位对准散热器定位螺丝，反扣于散热组上。

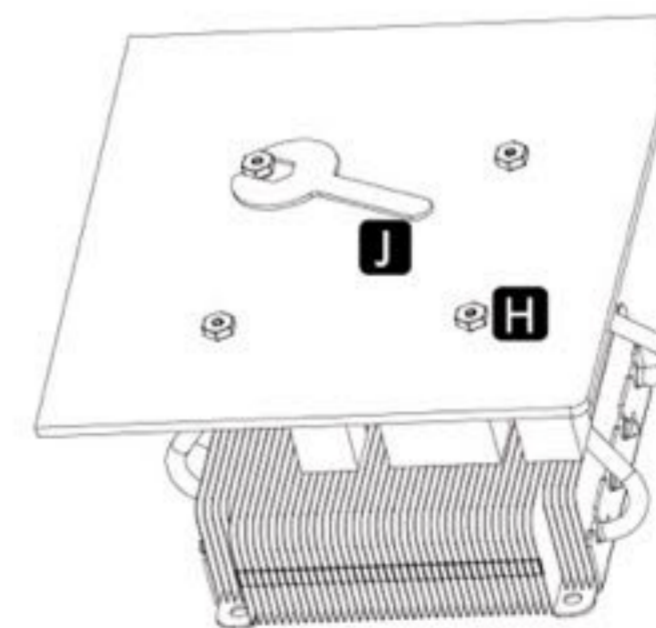
Step 5



EN Install insulating washers.

CN 装入绝缘垫片。

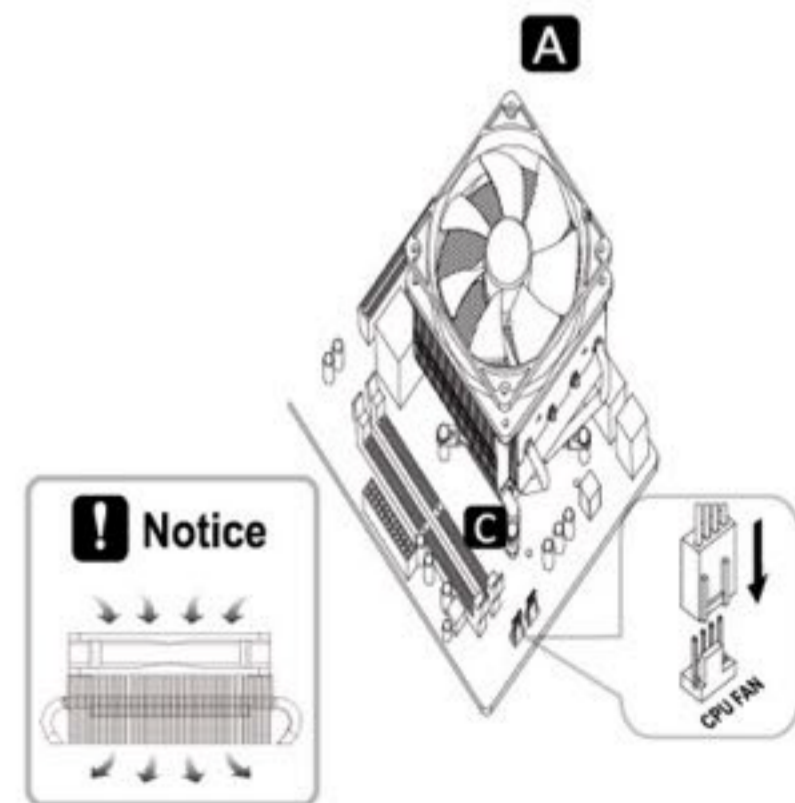
Step 6



EN Fix the coolers on the motherboard by fixing the hex nuts with the wrench.

CN 用开口板手拧紧六角螺母，将散热组固定到主板上。

Step 7

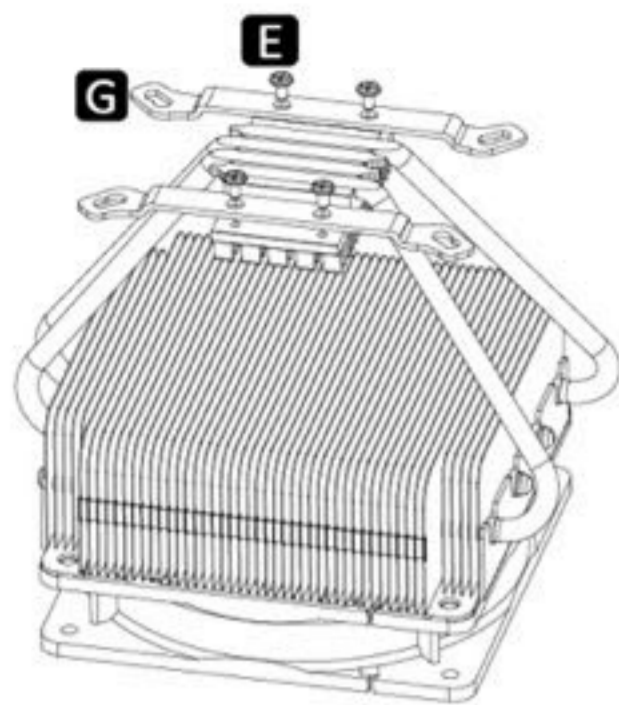


! Notice

EN Attach the fan to the cooler with the fan brackets, and then connect the fan's 4 pin connector to the CPU fan power socket of the motherboard. Installing the fan as illustrated will give the best cooling airflow.

CN 将风扇用风扇支架固定到散热器上，将PWM 4pin接头与主板连接。将风扇依图示方式安装能提供最佳的散热气流。

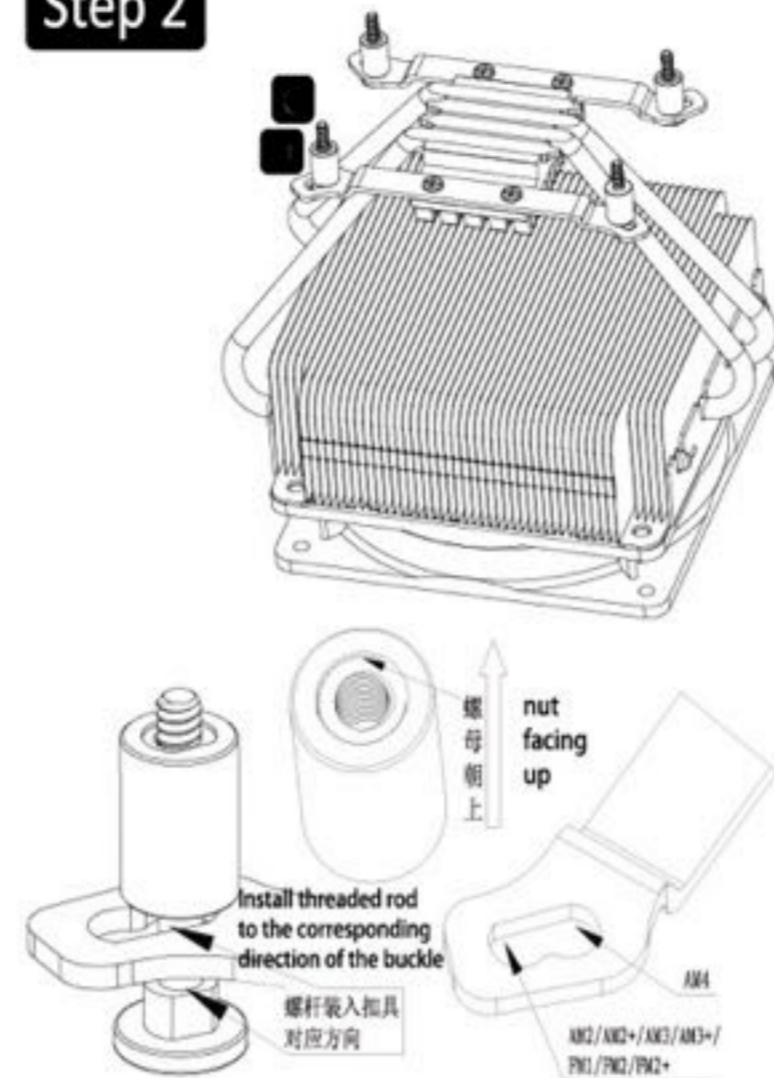
Step 1



EN Install AMD bracket on the cooler base, and then use bracket screws to fix it.

CN 将AMD支架安装到散热器底座，并用螺丝将其锁紧。

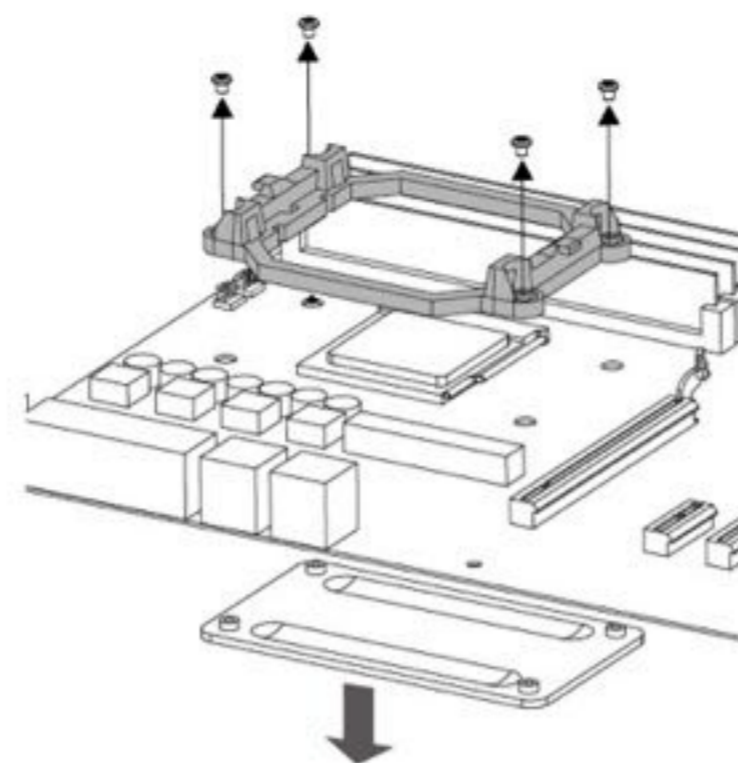
Step 2



EN Install threaded rod to the corresponding holes of AMD bracket as needed, fixing it with nut facing up.

CN 根据需要将螺杆装入AMD对应孔位内，将隔套内螺母朝上拧紧固定。

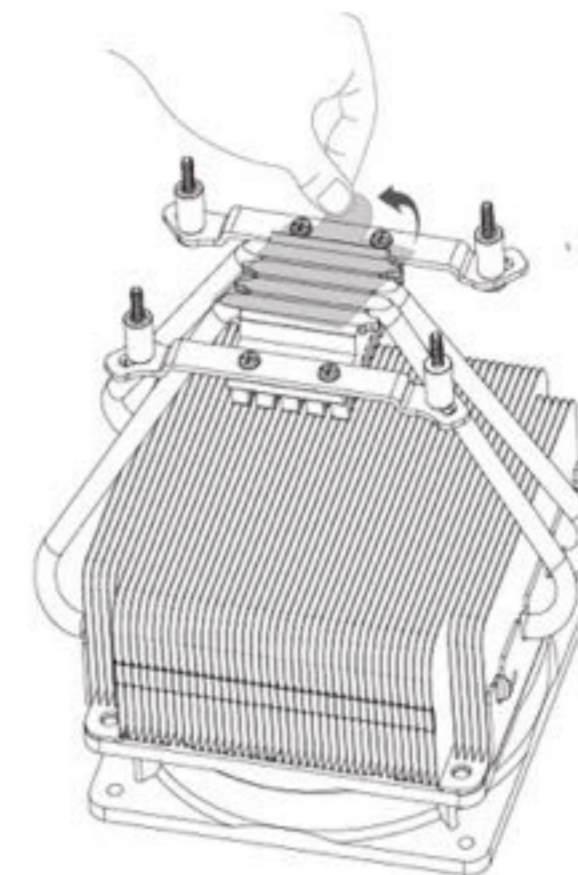
Step 3



EN Please remove the original heatsink mount holder before further installation.

CN 请将AMD主板上的原厂散热支架移除。

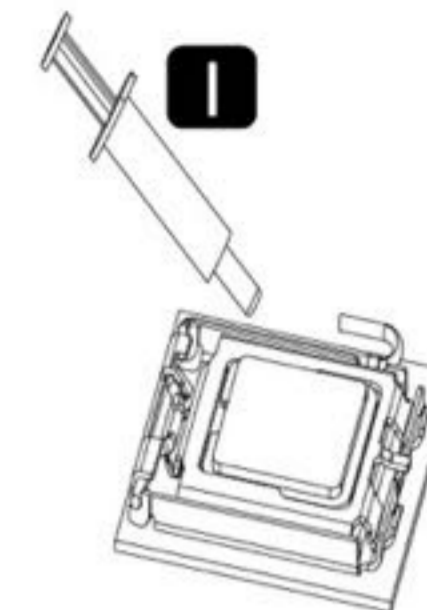
Step 4



EN Remove protective film before installing the cooler.

CN 安装散热器前先移除保护膜。

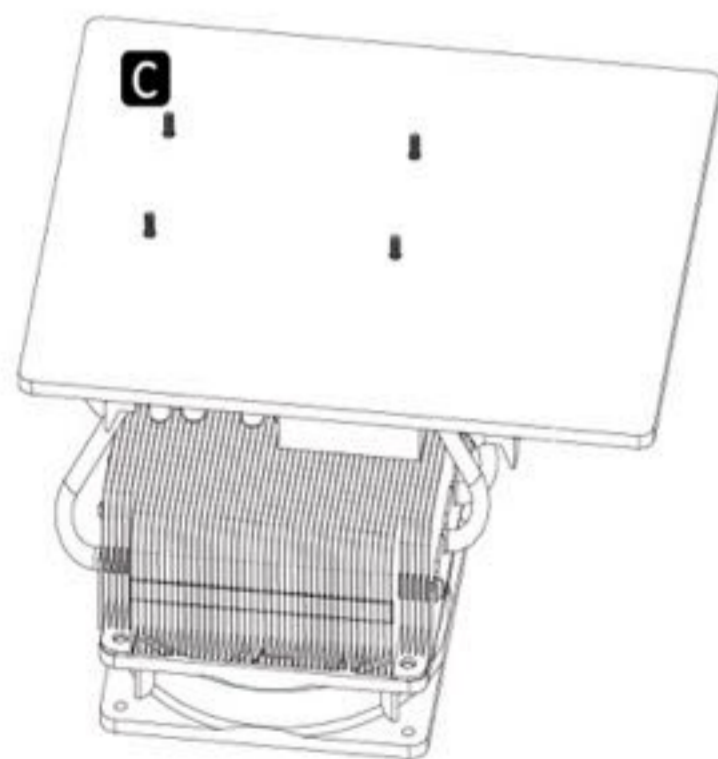
Step 5



EN Evenly apply the thermal grease onto the CPU.

CN 将导热膏均匀涂抹于CPU表面上。

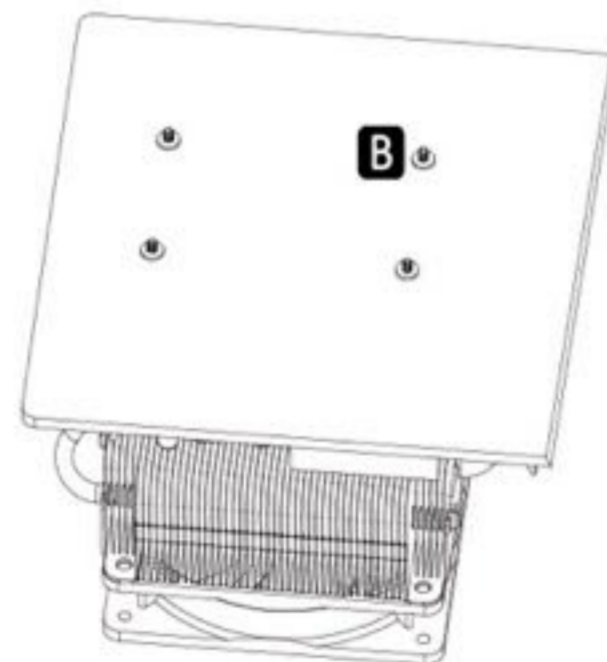
Step 6



EN Pointing the holes of the motherboard to the positioning screws of the cooler, and then assemble them together.

CN 将主板孔位对准散热器定位螺丝，反扣于散热组上。

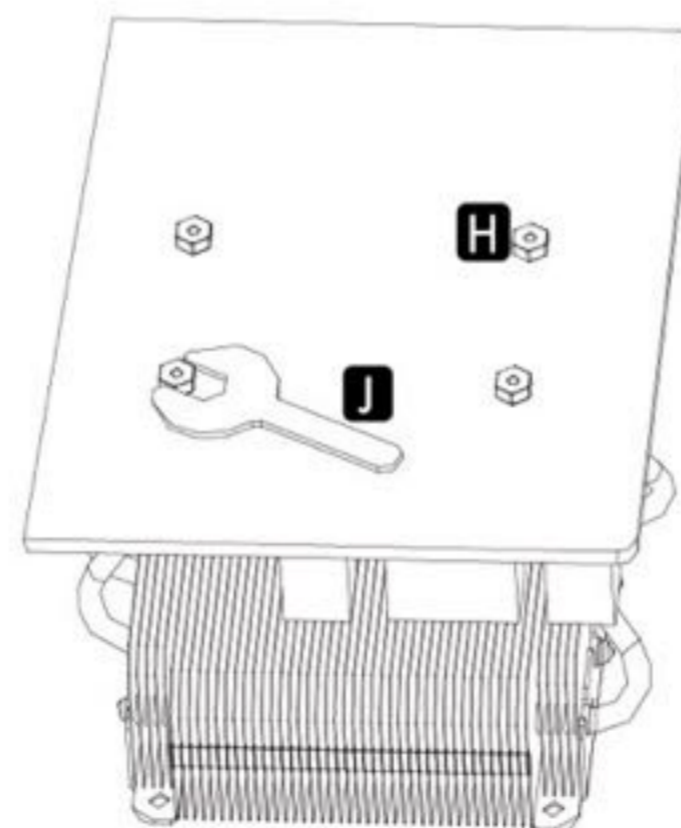
Step 7



EN Install insulating washers.

CN 装入绝缘垫片。

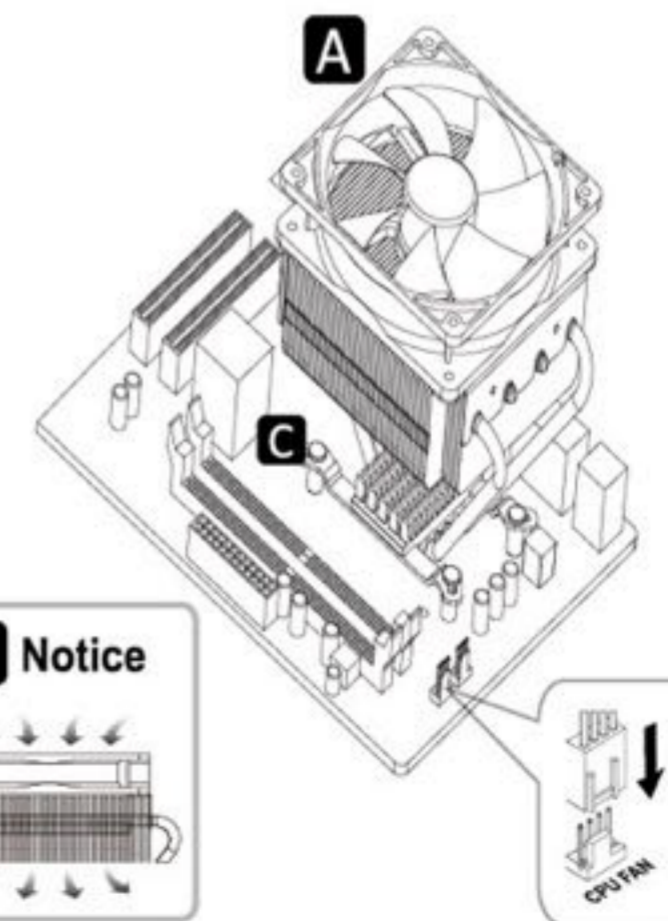
Step 8



EN Fix the coolers on the motherboard by fixing the hex nuts with the wrench.

CN 用开口扳手拧紧六角螺母，将散热组固定到主板上。

Step 9



EN Connect the fan's 4 pin connector to the CPU fan power socket of the motherboard.

CN 将PWM 4pin接头与主板连接。

CR-101