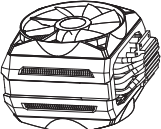
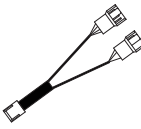
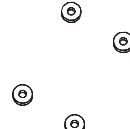
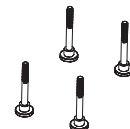
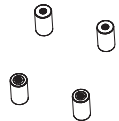

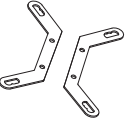
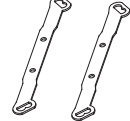
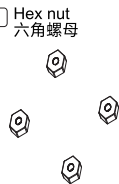

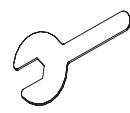
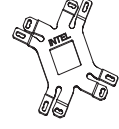
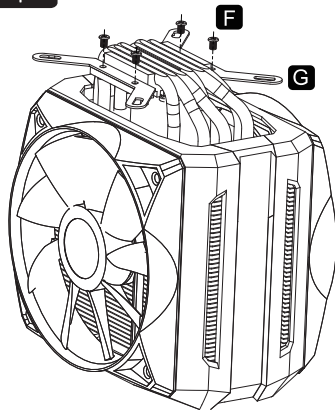


# CR-1100

## User's Manual

<p><b>A</b> CPU Heat Sink CPU散热器</p> 	<p><b>B</b> Y Cable Y形转接线</p> 	<p><b>C</b> Washer 垫圈</p> 	<p><b>D</b> Positioning Screw 定位螺钉</p> 
<p><b>E</b> Stand-off 间隔柱</p> 	<p><b>F</b> Bracket Screw 扣具条固定螺丝</p> 	<p><b>G</b> Intel Bracket INTEL扣具条</p> 	<p><b>H</b> AMD Bracket AMD扣具条</p> 
<p><b>I</b> Hex nut 六角螺母</p> 	<p><b>J</b> Thermal Grease 散热硅脂</p> 	<p><b>K</b> Wrench 六角螺母扳手</p> 	<p><b>L</b> Back Plate 背板</p> 

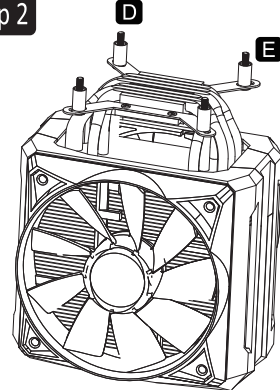
**Step 1**



**EN** Place INTEL bracket on the cooler base, and then use bracket screws to fix it

**CN** 将INTEL支架安装到散热器组上,并用螺丝拧紧

**Step 2**



Install threaded rod to the corresponding direction of the buckle

螺母朝上  
nut facing up

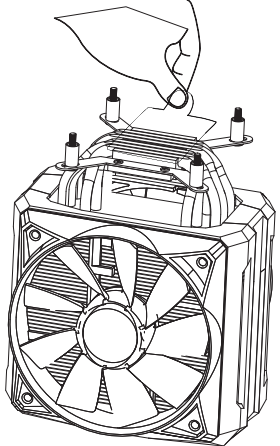
螺杆菌装入扣具对应方向

LGA775  
LGA115X  
LGA1366

**EN** Install threaded rod to the corresponding holes of INTEL bracket as needed, fixing it with nut facing up

**CN** 根据需要将螺杆菌装入INTEL对应孔位内,将间隔柱拧到螺杆菌上固定

**Step 3**

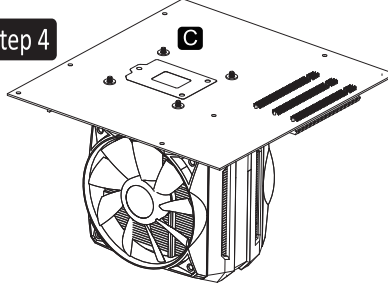


**J**

**EN** Apply the thermal grease evenly on to the CPU surface. Remove the protective film from the cooler base

**CN** 将散热膏均匀地涂在CPU表面上,并取下散热器底座上的保护膜

**Step 4**

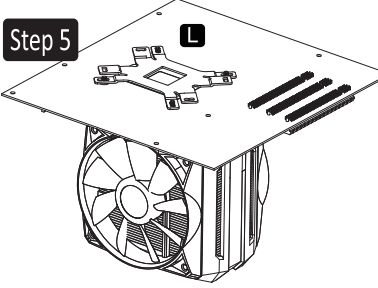


**C**

**EN** Pointing the holes of the motherboard to the positioning screws of the cooler, and then assemble them together, install insulating washers

**CN** 将主板孔位对准散热器定位螺丝,反扣于散热器组上,装入绝缘垫片

**Step 5**

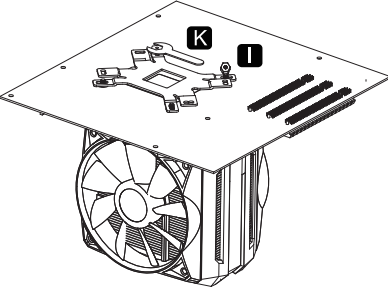


**L**

**EN** Install back Plate (as shown in the figure)

**CN** 装入背板(如图所示)

**Step 6**

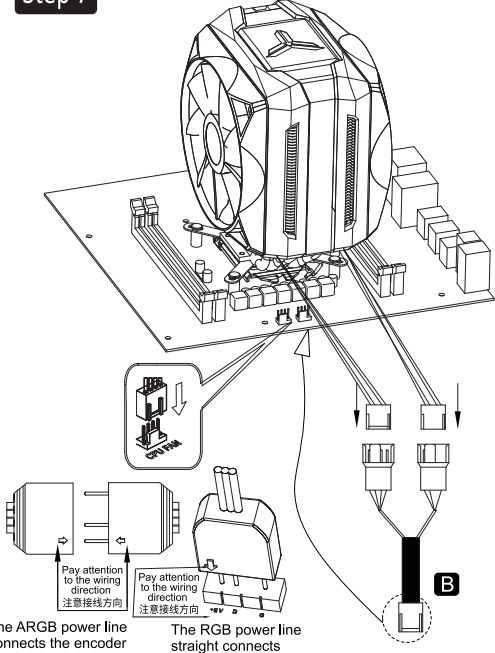


**K** **I**

**EN** Fix the coolers on the motherboard by fixing the hex nuts with the wrench

**CN** 用开口扳手拧紧六角螺母,将散热器组固定到主板上

**Step 7**



**EN** Use Y cable to connect the two fans of the coolers (as shown in the figure), then connect Y Cable to the motherboard. At the same time, connect the 5V ARGB lamp line to the host or connect it to the encoder wiring as required

**CN** 使用Y线将散热器上两个风扇连接一起(如图所示),然后将Y线与电脑主板相连,同时根据需要将主板的5V ARGB接口或控制器连接。

Pay attention to the wiring direction  
注意接线方向

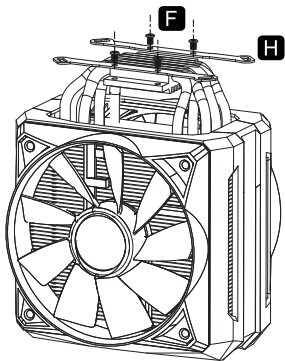
Pay attention to the wiring direction  
注意接线方向

The ARGB power line connects the encoder wiring line

The RGB power line straight connects main board

Chapter3-AMD Installation  
第三部分 AMD安装

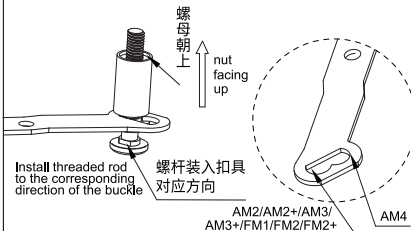
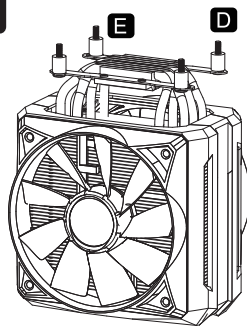
Step 1



EN Instal AMD bracket on the cooler base, and then use bracket screws to fix it

CN 将AMD支架安装到散热器上,并用螺丝拧紧

Step 2



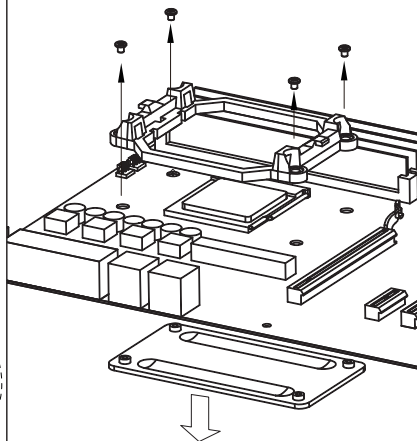
Install threaded rod to the corresponding direction of the buckle  
螺母朝上  
↑ nut facing up  
螺杆菌装入扣具  
对应方向

AM2/AM2+/AM3/  
AM3+/FM1/FM2/FM2+  
AM4

EN Install threaded rod to the corresponding holes of AMD bracket as needed, fixing it with nut facing up

CN 根据需要将螺杆菌装入AMD对应孔位内,将间隔柱拧到螺杆菌上固定

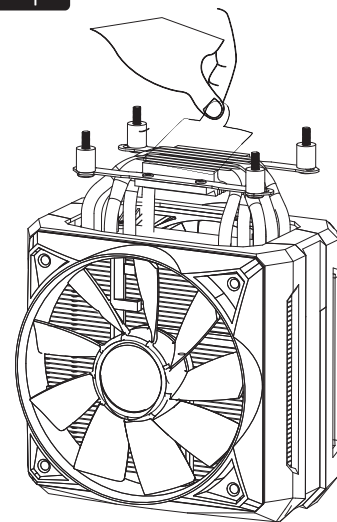
Step 3



EN Please remove the original heatsink mount holder further installation

CN 请将AMD主板上的原厂散热器支架移除

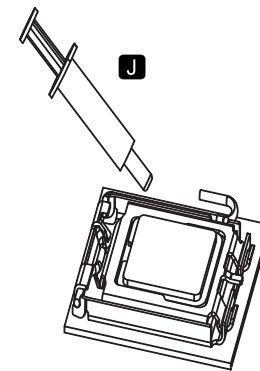
Step 4



EN Please remove the protective film before installing the cooler

CN 安装散热器前先移除保护膜

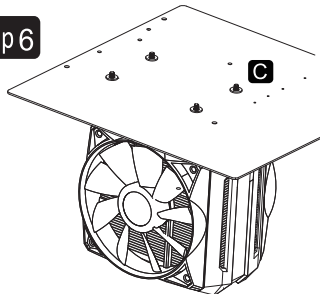
Step 5



EN evenly apply the thermal grease evenly on to the CPU surface

CN 将导热膏均匀涂抹于CPU表面上

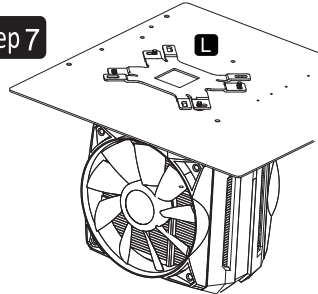
Step 6



EN Pointing the holes of the motherboard to the positioning screws of the cooler, and then assemble them together, install insulating washers

CN 将主板孔位对准散热器定位螺丝,反扣于散热器上,装入绝缘垫片

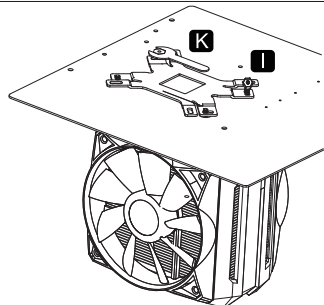
Step 7



EN Install back Plate (as shown in the figure)

CN 装入背板(如图所示)

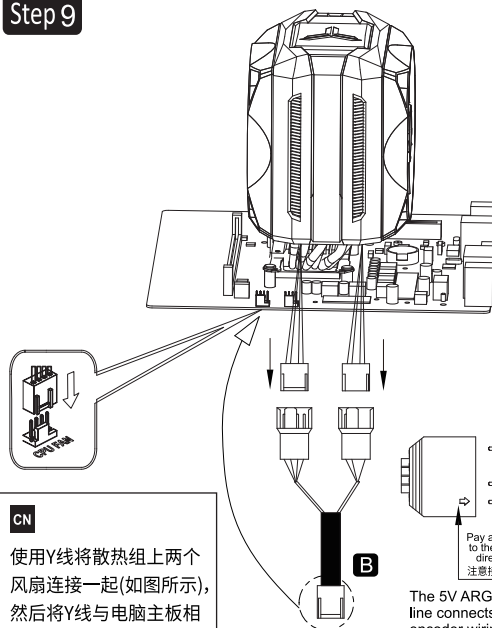
Step 8



EN Fix the coolers on the motherboard by fixing the hex nuts with the wrench

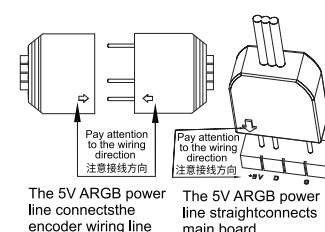
CN 用开口扳手拧紧六角螺母,将散热器固定到主板上

Step 9



CN 使用Y线将散热器上两个风扇连接一起(如图所示),然后将Y线与电脑主板相连,同时根据需求与主板或编码器连接。

EN Use Y cable to connect the two fans of the coolers(as shown in the figure),then connect Y Cable to the motherboard. At the same time, connect the RGB lamp line to the host or connect it to the encoder wiring as required



The 5V ARGB power line connects the encoder wiring line  
Pay attention to the wiring direction  
注意接线方向

The 5V ARGB power line straight connects main board  
Pay attention to the wiring direction  
注意接线方向

# CR-1100



# CR-1100

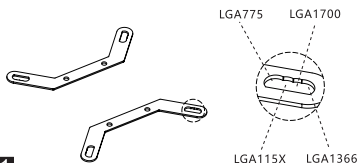
Intel Gen 12th LGA1700 installation guide

Intel LGA1700-Installationshandbuch der 12. Generation

Guide d'installation Intel 12e génération LGA1700

INTEL 12세대 LGA1700 설치 가이드

Intel 12代LGA 1700安装指南



1

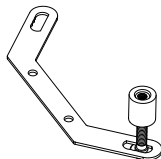
Insert the screws to corresponding holes of Intel bracket

Setzen Sie die Schrauben in die entsprechenden Löcher der Intel-Halterung ein

Insérez les vis dans les trous correspondants du support Intel

Intel 브래킷의 해당 구멍에 나사를 삽입합니다

选择LGA1700孔位



2

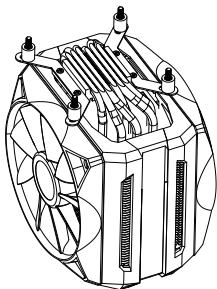
The nut facing upwards, and secure the screws

Die Mutter zeigt nach oben, um die Schraube zu befestigen

L'écrou est orienté vers le haut pour fixer la vis

나사를 고정하기 위해 너트가 위쪽을 향하도록 합니다

将螺母朝上拧紧固定住螺杆



3

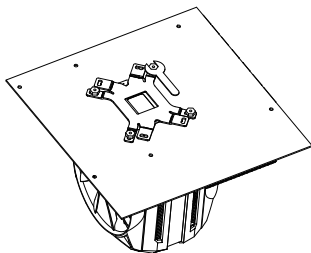
Install the brackets to the CPU cooler

Installieren Sie die Halterung am CPU-Kühler

Installez le support sur le refroidisseur de processeur

CPU 쿨러에 브래킷 설치

将支架安装在主体上



4

Install the back plate, and secure it with HEX nut

Montieren Sie die Rückplatte und befestigen Sie sie mit Sechskantmuttern

Installez la plaque arrière et fixez-la avec des écrous hexagonaux

백플레이트를 장착하고 육각너트로 고정합니다

安装背板并用扳手拧紧六角螺母