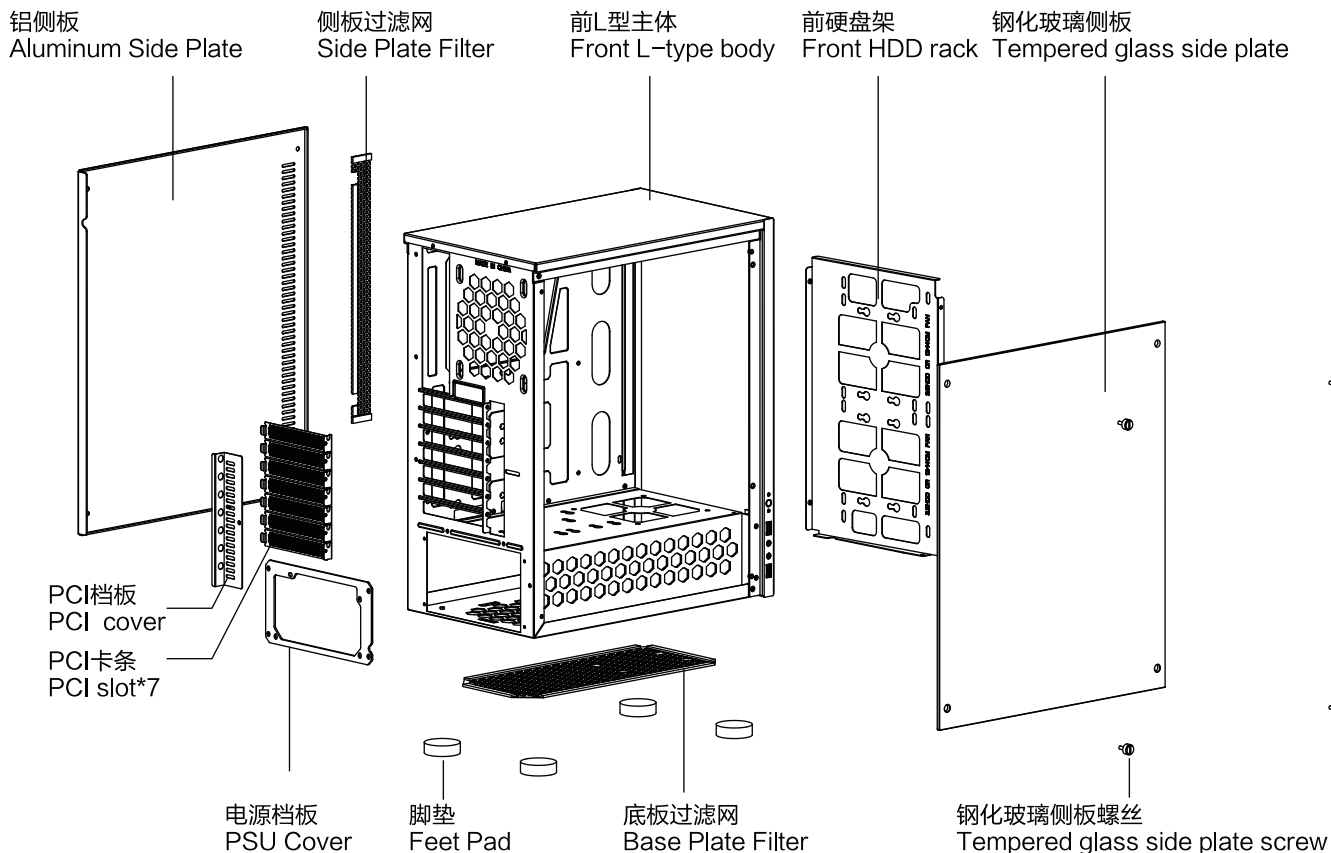


C5



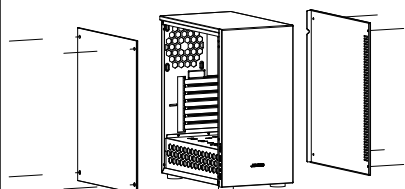
Package Content 零件包规格

Accessories / 配件包说明

	For locking SSD 2.5硬盘螺丝	12PCS		For locking Fan 风扇螺丝	13PCS
	For locking HDD 3.5硬盘螺丝	16PCS		Standby locking for Aluminium side plate 铝侧板备用螺丝	2PCS
	For locking PSU and motherboard 电源x4/主板x9	13PCS		HDD Rubber Gasket 硬盘胶垫	20PCS
	Gasket 螺丝垫片 (电源、主板)	13PCS		Hexagonal Stand-off 六角铜柱 (固定主板)	1PCS
	Bunch Wire Ties 将线材束整齐	4PCS			

组装步骤 / Assembly Steps

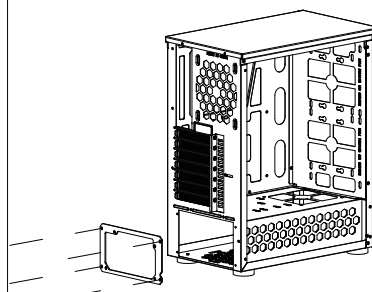
1



把机箱平放松开8颗
螺丝取下侧板

Put the case flat,
unscrew 8 screws
and take out the
side panel.

2



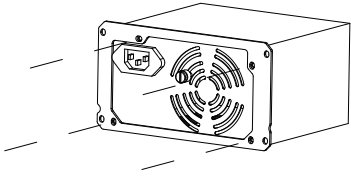
拧下电源固定架的4
颗螺丝

Unscrew 4 screws
from PSU cover.

3

把电源锁在电源固定架上

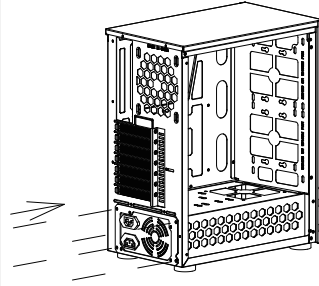
Fix the PSU to the PSU rack.



4

装入电源，锁上螺丝

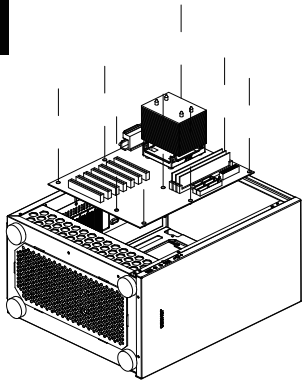
Install PSU and lock with screws.



5

装入I/O弹片，再装入主板，用螺丝锁固

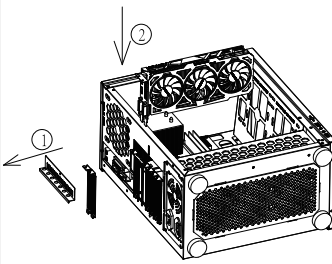
Install I/O plate, then install mainboard and fix with screws



6

松开PIC档板，取下PCI卡条，装上显卡

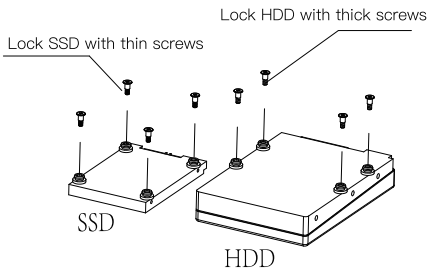
Release PCI cover and take out PCI slot, then install video card



7

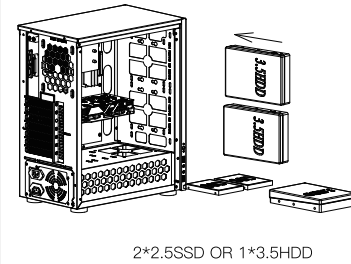
装上硬盘防震胶垫

Install HDD crash pad.



8

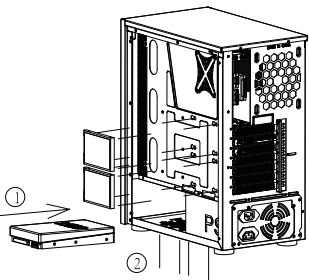
电源罩上可以装2个2.5SSD或1个3.5HDD；前风扇架可以装2个3.5 HDD或2个120/140风扇
2 x 2.5 SSD or 1 x 3.5 HDD can be installed on PSU cover.
2 x 3.5 HDD or 2 x 120/140 fan can be installed on front fan rack.



9

底部可以装一个3.5 HDD;主板背面可以装2个SSD

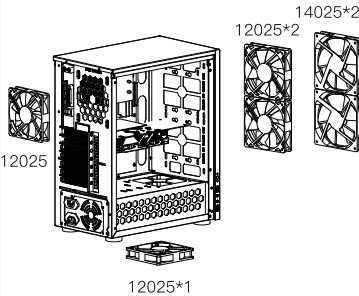
1 x 3.5 HDD can be installed on the bottom, and 2 SSD can be installed at back of mainboard.



10

前硬盘架上如果不装硬盘可以装2个120/140风扇

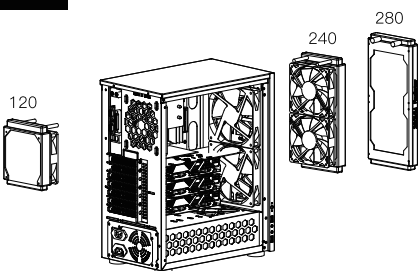
2 x 120/140 fan can be installed on front HDD rack if there is no need to install HDD.



11

前面最多装一组240/280冷排，后面装一组120冷排

Mostly 1 set of 240/280 radiator can be installed on front, and 1 set of 120 radiator at back.



12

把内部的线全部插上，最后盖上侧板OK

Connect all the wires inside the case and finally close the cover.

