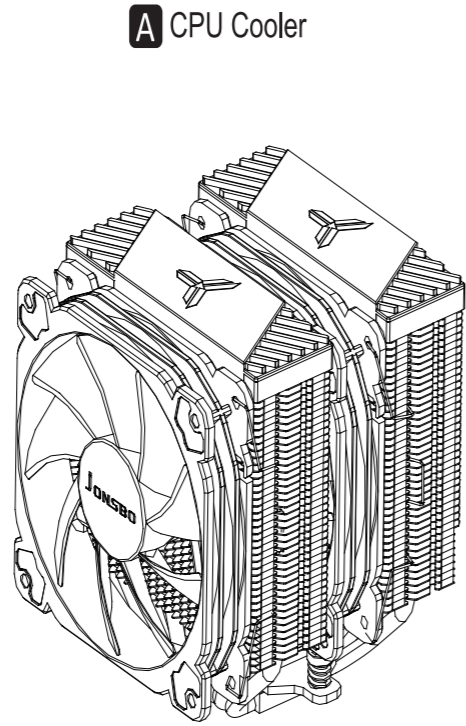


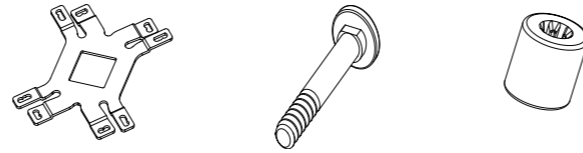
CR-2000GT

User's Manual



A CPU Cooler

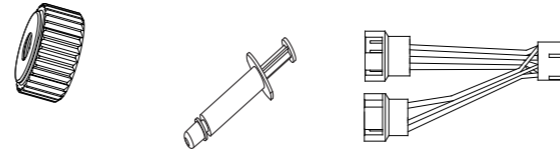
- B** Back Plate **C** Position Screw **D** Stand-off



- E** pourable resin chock **F** Intel Bracket **G** AMD Bracket



- H** Fixed Screw **I** Thermal Grease **J** Tiesline

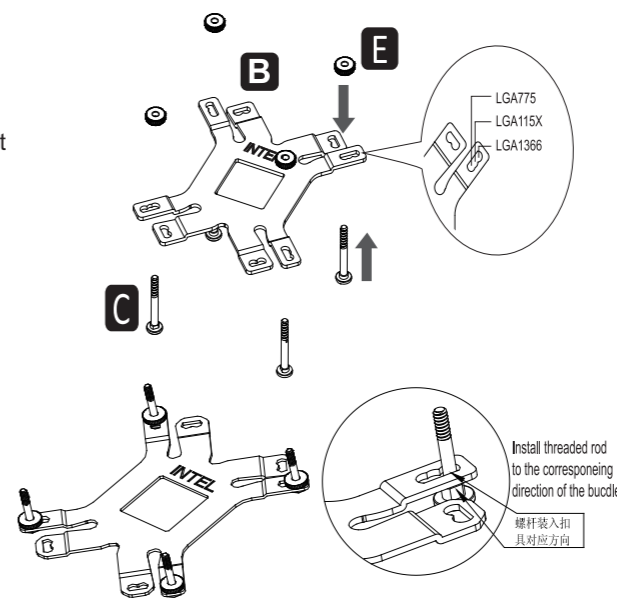


- K** Intel LGA 2011 Screw



Chapter 2 - Intel Installation

Step 1 * Intel LGA775/115X/1366



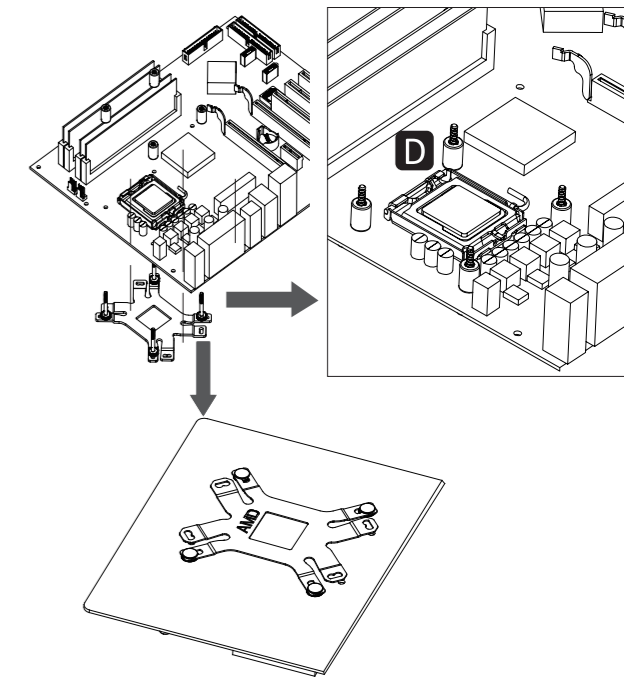
Intel的时候背板的使用方法，前面刻印显示INTEL。
When using the Intel CPU, please let the words INTEL on the upside.

EN Insert the position screws into the proper holes on the back plate. Then use the washers to fix the position screws. (If your CPU platform is Intel LGA2011, please skip to step 4)

CN 在背板上依系统CPU脚位所标示的孔位插入定位螺丝套上垫圈固定。
《如果你的主板是Intel LGA2011, 请直接跳至步骤4》

Step 2

* Intel LGA775/115X/1366 installation



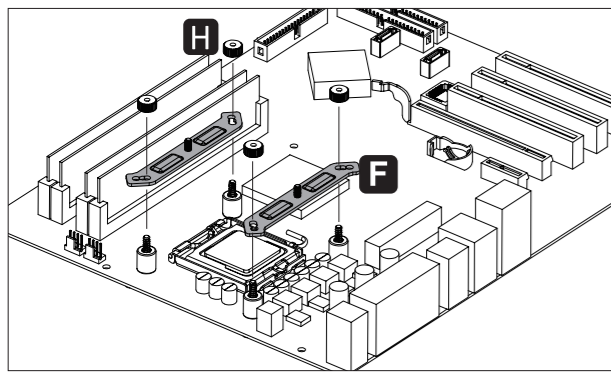
INTEL组装后主板背面方向看，背板刻印显示AMD。
When assembling the intel CPU, check from the back side AMD word will be on the panel.

EN Install the back plate on to the back of the motherboard. Put the stand-offs into the back plate screws.

CN 将套上定位螺丝的背板装在主机板背面，再从主板正面将定位胶环装螺丝。

Step 3

* Intel LGA775/115X/1366 installation

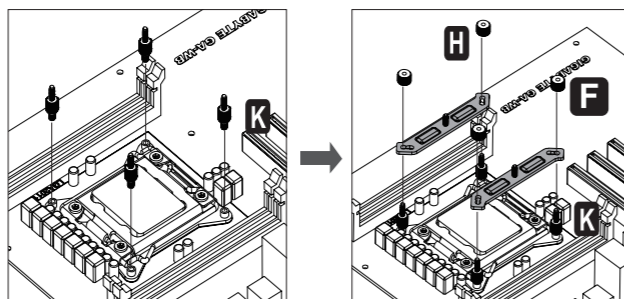


EN Install the mounting plates on the position screws and fasten the nuts.

CN 将支架安装在定位螺丝上，并拧上螺母。

Step 4

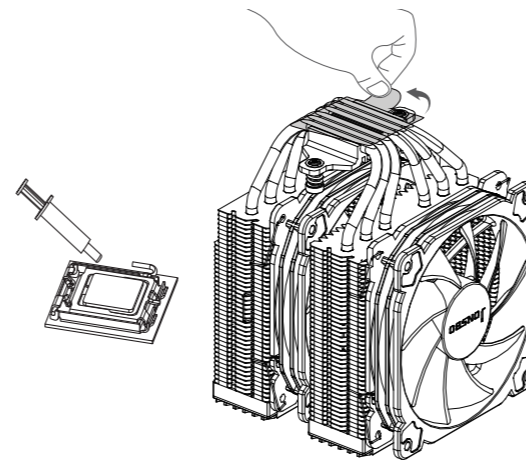
* Intel LGA 2011 installation



EN Fasten the Intel LGA 2011 screws to the motherboard. Install the mounting plates on the position screws and fasten the nuts.

CN 将LGA 2011螺丝固定在主板上，将支架安装在定位螺丝上，并拧上螺母。

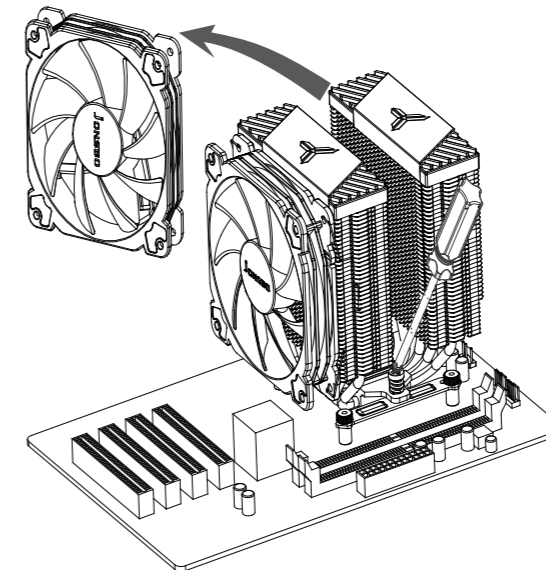
Step 5



EN Apply the thermal grease evenly onto the CPU surface. Remove the protective film from the cooler base.

CN 将散热膏均匀地涂抹在CPU表面上，并取下散热器底座上的保护膜。

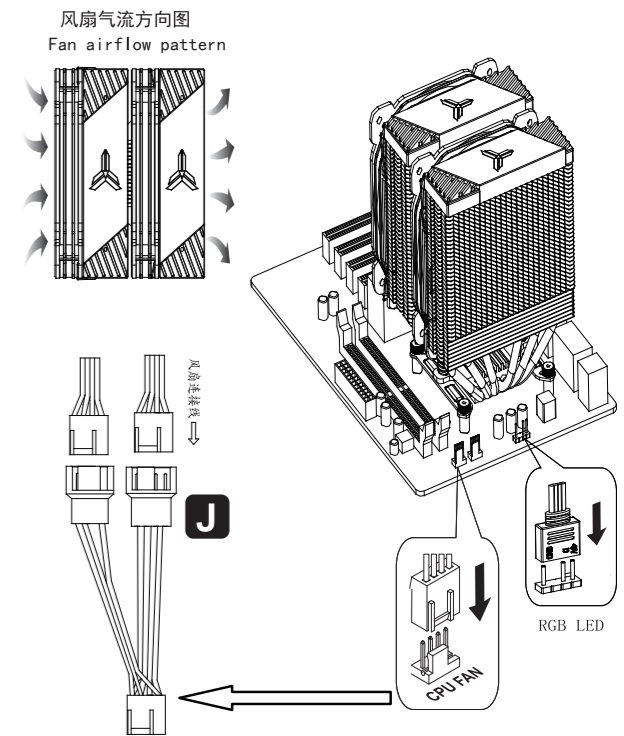
Step 6



EN After removing the fan (as shown above), place the radiator on the CPU and tighten the nut.

CN 取出风扇后（如上图）将散热器置于CPU上并拧紧螺母。

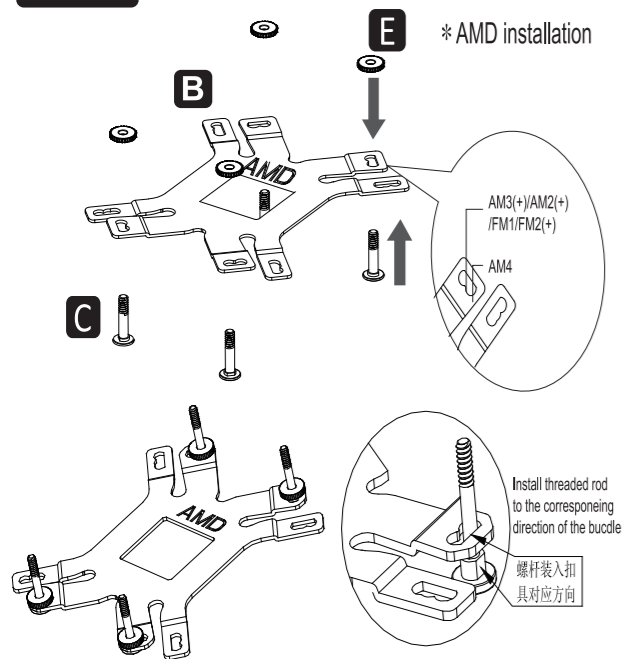
Step 7



EN After installing the fan, connect the fan wire and LED lamp wire to the motherboard according to the figure above. The fan shall be installed in the air flow direction as shown in the figure above!

CN 装上风扇后，依上图将风扇导线和LED灯线与主板连接。风扇需依上图气流方向安装！

Step 1

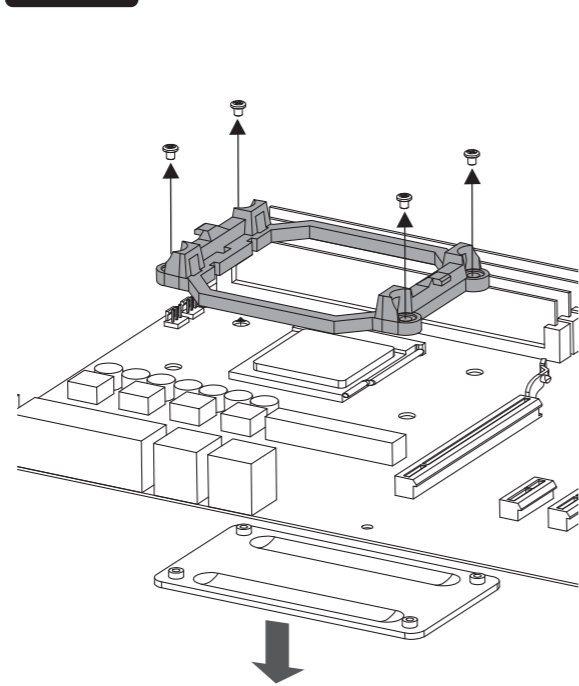


AMD的时候背板的使用方法，前面刻印显示AMD。
When using the AMD CPU, Please let the words AMD on the upside.

EN Insert the position screws into the AMD holes on the back plate.

CN 根据系统CPU脚位将定位螺丝固定在背板AMD相对应孔位。

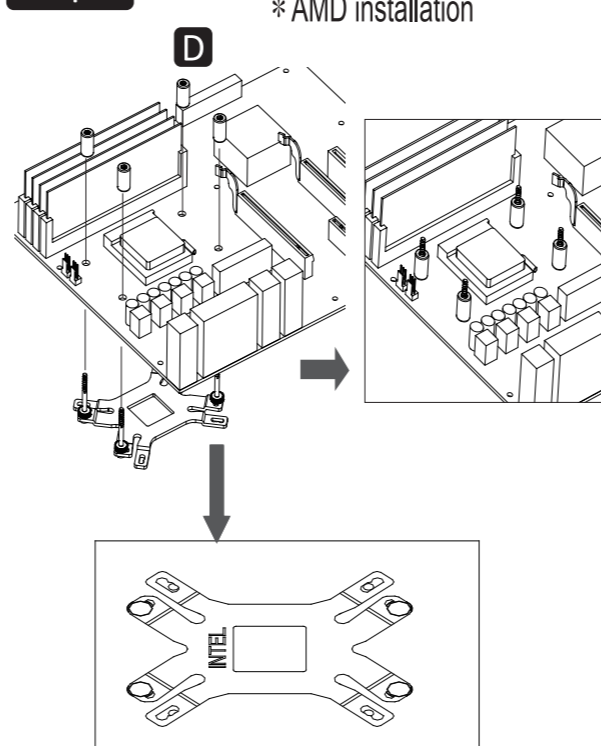
Step 2



EN Please remove the original heatsink mount holder before further installation.

CN 请将AMD主板上的原厂散热支架移除。

Step 3

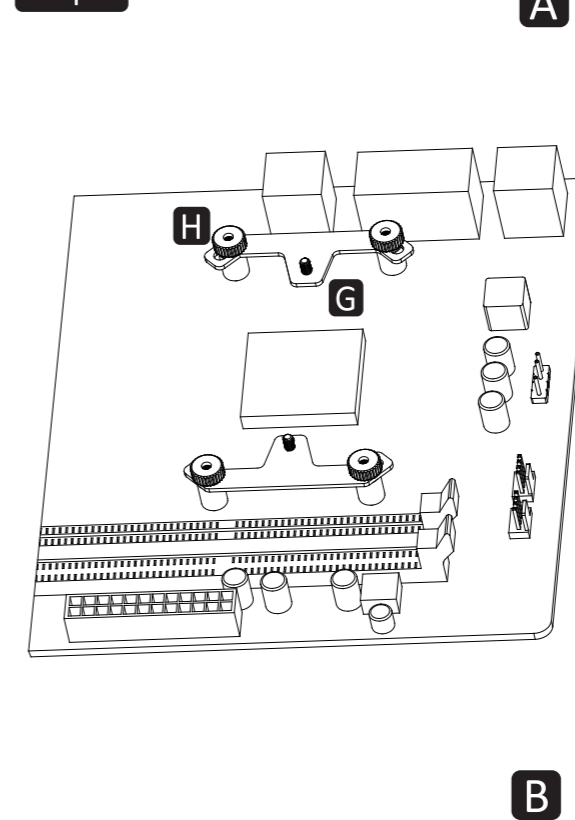


AMD组装后主板背面方向看，背板印显示INTEL。
when assembling the AMD CPU, Check from the back side INTEL wlrld will be on the penel.

EN Install the back plate on to the back of the motherboard. Put the stand-offs into the back plate screws.

CN 将套上定位螺丝的背板装在主机板背面，再从主板正面将定位胶环装螺丝。

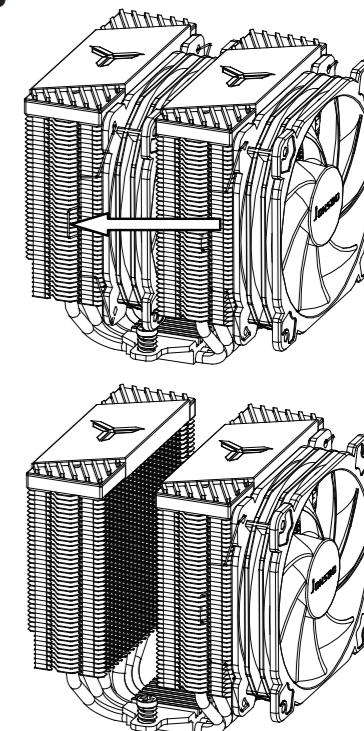
Step 4



EN Install the mounting plates on the position screws and fasten the nuts.

CN 将AMD支架安装在定位螺丝上，并拧上螺母。

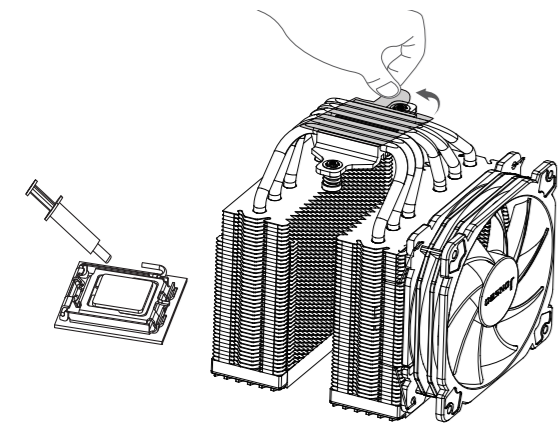
Step 5



EN Remove the fan (as shown above)

CN 拆下风扇（如上图）

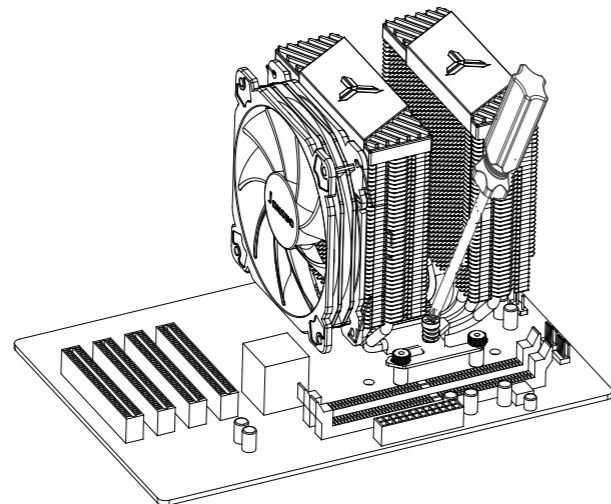
Step 6



EN Apply the thermal grease evenly onto the CPU surface. Remove the protective film from the cooler base.

CN 将散热膏均匀地涂抹在CPU表面上，并取下散热器底座上的保护贴膜。

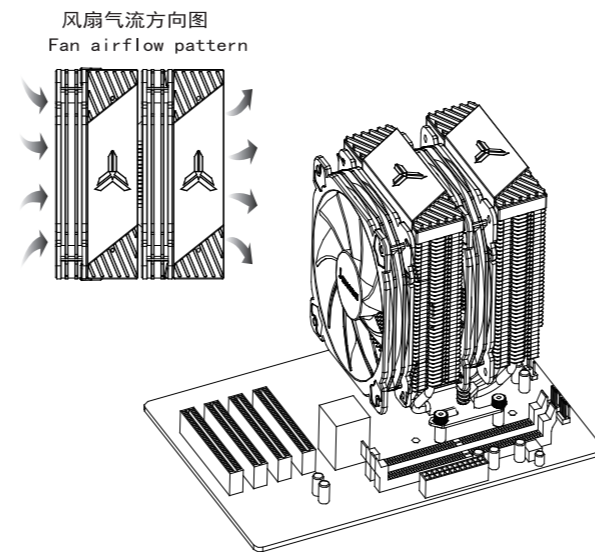
Step 7



EN Place the radiator on the CPU and tighten the nut.

CN 将散热器置于CPU上并拧紧螺母。

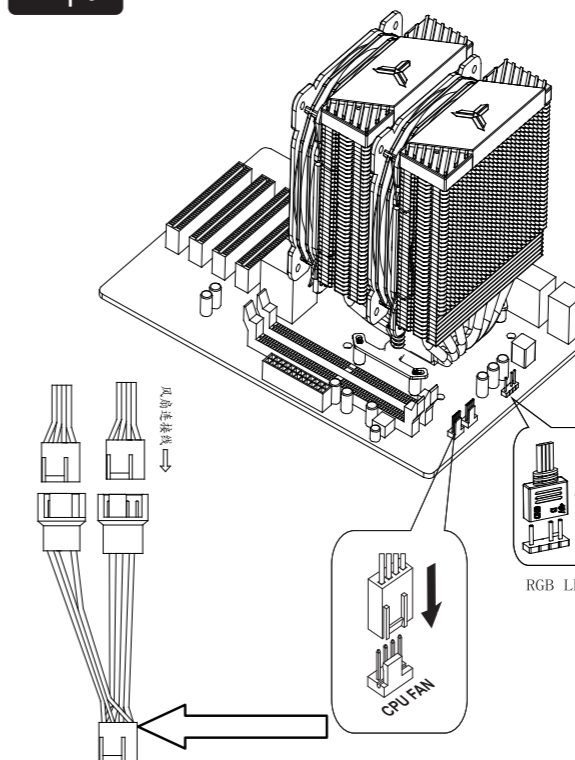
Step 8



EN Install the fan in the direction shown above.

CN 按上图所示的气流方向装上风扇。

Step 9



EN Connect the fan lead and the LED light lead as shown above.

CN 依上图将风扇导线和LED灯导线连接。

CR-2000GT